

## Platea Pro

Design Jean-Michel  
Wilmotte

iGuzzini

Last information update: December 2024

**Product configuration: BV97**  
BV97: Platea Pro



**Product code**  
BV97: Platea Pro

### Technical description

Outdoor luminaire with a Wide Flood optic, designed to use LED RGBW lamps. Consists of an optical assembly with a base and an aluminium alloy frame. The painting stage consists of a primer and a liquid acrylic paint, cured at 150 °C, with a high level of weather and UV ray resistance. 5 mm thick colourless transparent tempered sodium-calcium closing glass. Product can be tilted on the vertical plane by +5°/-90° with a 10° step graduated scale and fitted with mechanical blocks that guarantee stable light beam aiming. Horizontal aiming can be adjusted using the slots on which the base is provided with a ±30° adjustment option. High visual comfort. High yield, homogenous light distribution polymer optic lenses. Circuit complete with single chip RGBW LEDs (Red Green Blue and White LEDs) and a DMX512-RDM electronic check driver. Removable control gear connected with quick-coupling connectors. 220-240V ac 50/60Hz electronic ballast. Replaceable control gear. All the screws used are made of A2 stainless steel.

### Installation

The luminaire can be installed on the wall or floor using a standard base. .

### Colour

White (01) | Black (04) | Grey (15) | Rust Brown (F5)

### Weight (Kg)

8.6

### Mounting

wall arm|ground surface|wall surface

### Wiring

Luminaire ready for pass-through wiring. Product perfect watertightness at the power cable entry point is guaranteed by 2 x M24x1,5 nickel-plated brass cable glands suitable for cables with a max external ø14mm (cross-section from 1.5mm²). Push in terminal board.

### Notes

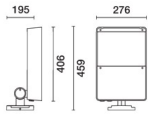
The following are available as accessories: refractor for elliptical light flow distribution, diffusing glass, visor, directional flaps, protective grille.

Complies with EN60598-1 and pertinent regulations

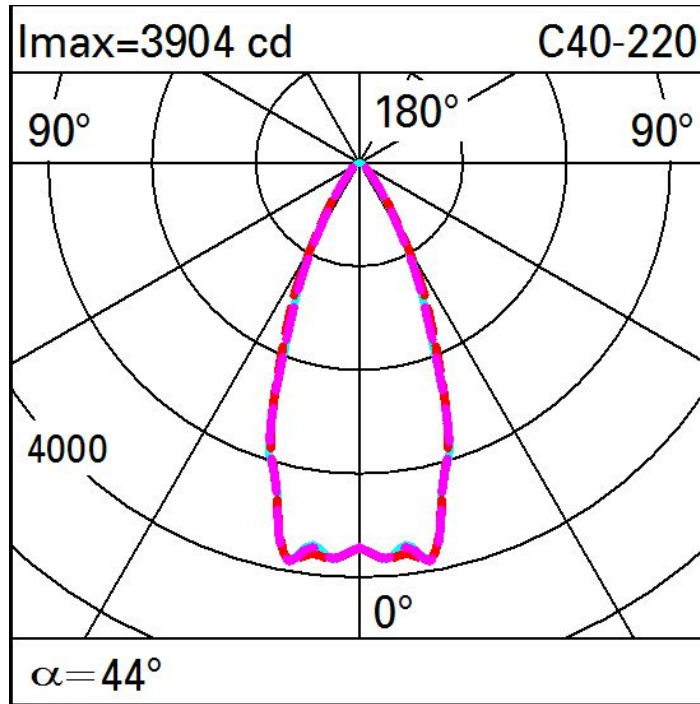


### Technical data

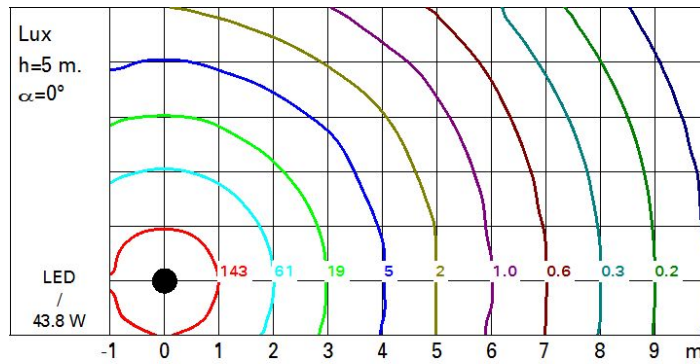
lm system:	2441	Life Time LED 1:	100,000h - L80 - B10 (Ta 25°C)
W system:	43.8	Voltage [Vin]:	230
lm source:	3590	Lamp code:	LED
W source:	37	Number of lamps for optical assembly:	1
Luminous efficiency (lm/W, real value):	55.7	ZVEI Code:	LED
lm in emergency mode:	-	Number of optical assemblies:	1
Total light flux at or above an angle of 90° [Lm]:	0	Intervallo temperatura ambiente:	from -30°C to 35°C.
Light Output Ratio (L.O.R.) [%]:	68	Power factor:	See installation instructions
Beam angle [°]:	44°	Inrush current:	40 A / - µs
CRI (typical):	82	Control:	DMX-RDM
Colour temperature [K]:	RGBW - 4000K		



Polar



Isolux



Illuminances

Lux		Wall distance = 1m											
3													
		0.1	0.3	1	5	14	24	14	5	1	0.3	0.1	
2		0.8	2	5	13	31	46	31	13	5	2	0.8	
		2	3	7	19	47	81	47	19	7	3	2	
1		2	4	9	28	75	116	75	28	9	4	2	
		2	5	13	37	74	103	74	37	13	5	2	
0													
	m	-2	-1	0	1	2	3						