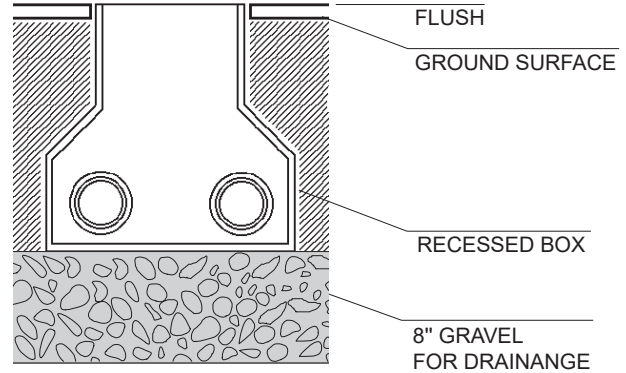
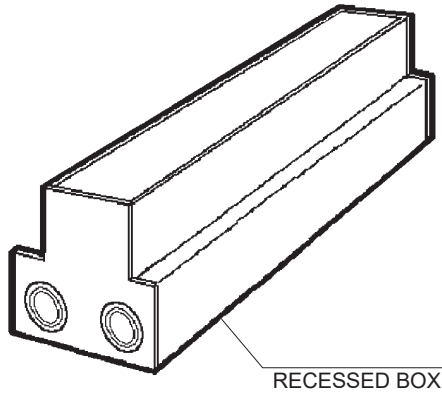


IMPORTANT - READ CAREFULLY BEFORE INSTALLING FIXTURE. RETAIN THESE INSTRUCTIONS FOR FUTURE REFERENCE. THIS PRODUCT MUST BE INSTALLED IN ACCORDANCE WITH THE NATIONAL ELECTRICAL CODE AND ALL APPLICABLE LOCAL CODES, BY A PERSON FAMILIAR WITH THE CONSTRUCTION AND OPERATION OF THE PRODUCT, AND THE HAZARDS INVOLVED. PROPER GROUNDING IS REQUIRED FOR SAFETY.

RECESSED BOX INSTALLATION (M1)

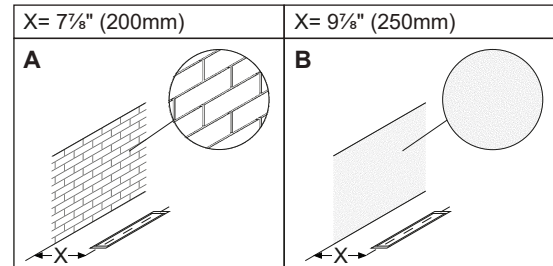
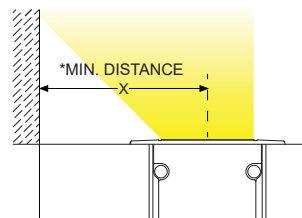
- INSTALL RECESSED BOX OPENING FLUSH WITH SURFACE. **ALLOW FOR A MINIMUM 8" OF GRAVEL BELOW FOR DRAINAGE.**
- * FOR WALL GRAZING OPTIC, ENSURE MINIMUM DISTANCE FROM WALL TO GET DESIRED EFFECT (SEE GRAPHIC BELOW).



ATTENTION:
DRAINAGE
REQUIRED

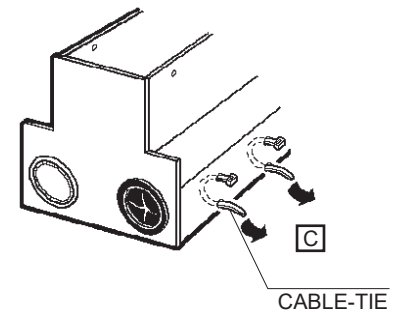
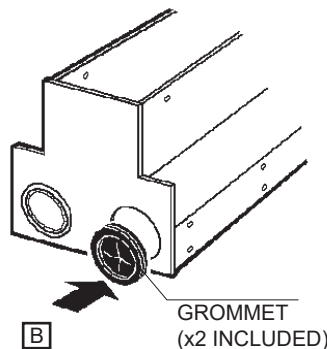
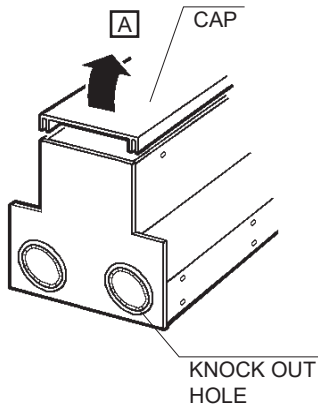
- *IF FIXTURE IS TO BE INSTALLED IN CONCRETE OVER A GRAVEL BED, ENSURE THERE IS 8" OF GRAVEL.
- *IF FIXTURE IS TO BE INSTALLED IN A CONCRETE DECK WHERE THERE IS NO GRAVEL UNDER THE FIXTURE, THEN A DRAIN TUBE IS REQUIRED TO ALLOW WATER TO BE DRAINED AWAY.
- *HOUSING MUST HAVE SUITABLE DRAINAGE TO ENSURE NEVER HAVE WATER ACCUMULATED FOR MORE THAN 30 MINUTES.

***WALL GRAZING OPTIC**



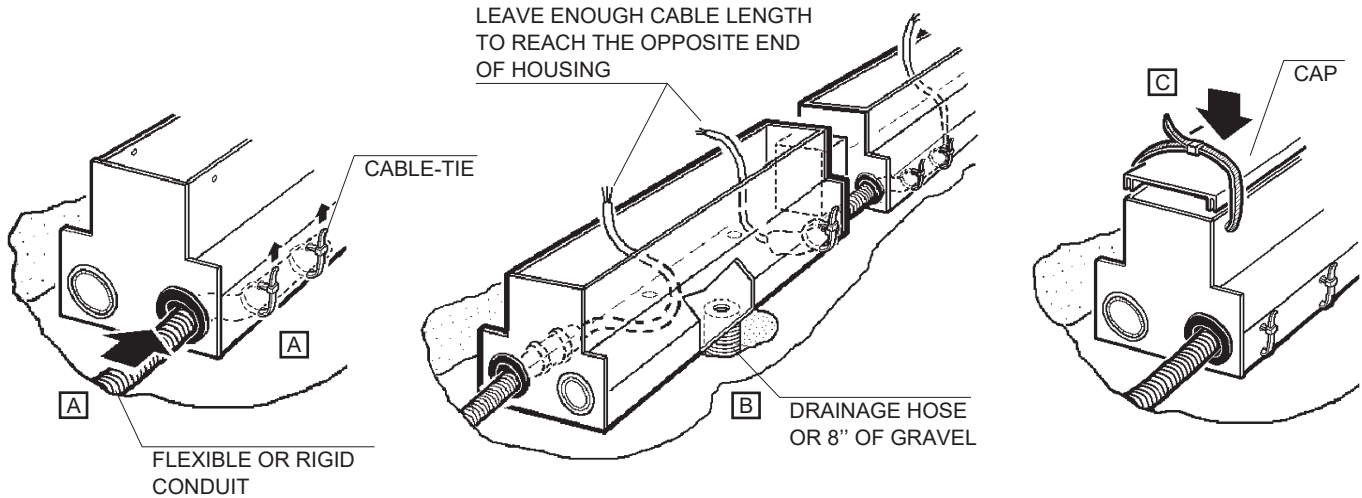
STEP 1

- REMOVE CAP FROM THE RECESSED BOX AND KEEP IN A SAFE PLACE.
- INSTALL GROMMET INTO ONE OF THE KNOCK-OUT HOLE FOR 1" SUGGESTED TRADE SIZE FLEXIBLE OR RIGID CONDUIT.
- PASS THE CABLE-TIE THROUGH HOLES AS SHOWN.



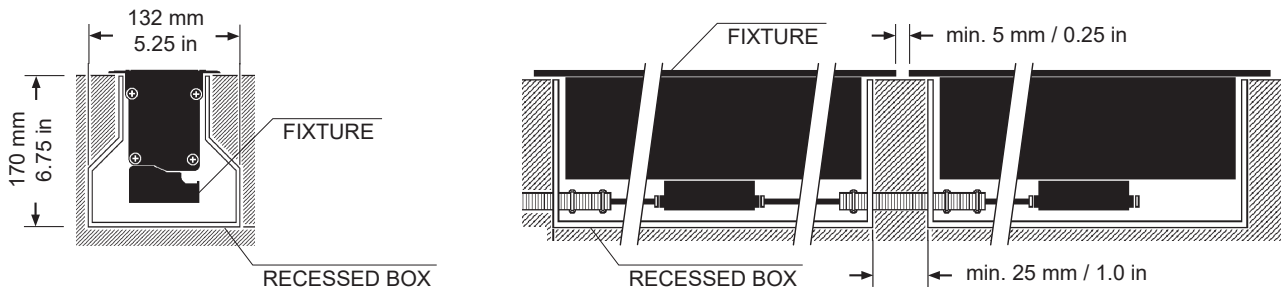
STEP 2

- A- PLACE RECESSED BOX IN THE DUG OUT HOLE, PASS THE FLEXIBLE OR RIGID CONDUIT THROUGH THE GROMMET AND TIGHTEN DOWN WITH CABLE-TIE.
- B- PLACE A DRAINAGE HOSE ON ONE OF THE HOLES UNDER THE RECESSED BOX.
- C- CLOSE THE HOUSING WITH THE CAP AS SHOWN FOR CASTING CEMENT AROUND THE RECESSED BOX.

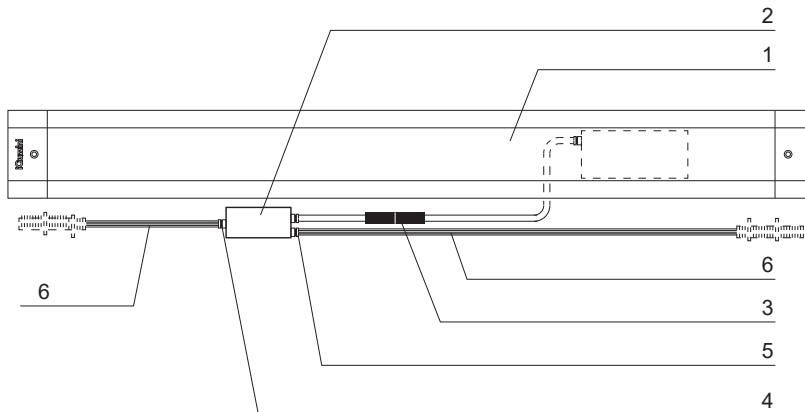


DIMENSIONS

- DIMENSIONS AND MINIMUM DISTANCE REQUIRED BETWEEN RECESSED BOXES.



CONNECTIONS



- 1- FIXTURE:**
WITH PREWIRED WET LOCATION CABLE TO CONNECTOR
- 2- WET LOCATION BOX IP67 (INCLUDED):**
WITH WET LOCATION CABLE TO CONNECTOR, FOLLOW INSTRUCTION FOR THE 3M SEALANT
- 3- WET LOCATION CONNECTOR (INCLUDED)**
- 4- CONNECTION**
MULTI-HOLE PG GLAND WET LOCATION, SUITABLE FOR 3 OR 5 SINGLE CONDUCTORS
- 5- THROUGH WIRE CONNECTION:**
MULTI-HOLE PG GLAND WET LOCATION, SUITABLE FOR 3 OR 5 SINGLE CONDUCTORS
- 6-INSTALLATION CABLES:**
SINGLE CONDUCTORS REQUIRED
10AWG OR 12AWG

INSTALLATION WITHOUT MOUNTING ACCESSORY (NA)

1- CUT-OUT DIMENSIONS FOR SINGLE UNITS

NOMINAL LENGTH	A	B
2'	22 $\frac{1}{16}$ " (560mm)	2 $\frac{7}{8}$ " (73mm)
4'	42 $\frac{7}{8}$ " (1088mm)	
5.5'	63 $\frac{1}{16}$ " (1617mm)	

2- CUT-OUT DIMENSIONS FOR CONTINUOUS ROWS

