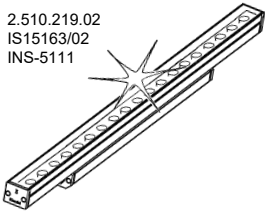


2.510.219.02  
IS15163/02  
INS-5111



**iGuzzini**  
NORTH AMERICA

**LINEALUCE MINI 47**  
0-10V - DMX / RDM

**WARNING:**

THE SAFETY OF THIS FIXTURE IS GUARANTEED ONLY IF YOU COMPLY WITH THESE INSTRUCTIONS; REMEMBER TO CONSERVE IN A SAFE PLACE.

**ATTENTION:**

LA SÉCURITÉ DE L'APPAREIL N'EST GARANTIE QU'EN CAS D'UTILISATION CORRECTE DES INSTRUCTIONS SUIVANTES; IL FAUT PAR CONSÉQUENT LES CONSERVER.

**ATTENCION:**

LA SEGURIDAD DEL APARATO SE GARANTIZA SOLO CUMPLIENDO CUIDADOSAMENTE LAS SIGUIENTES INSTRUCCIONES; ES NECESARIO CONSERVARLAS.

**ATTENZIONE:**

LA SICUREZZA DELL'APPARECCHIO E' GARANTITA SOLO CON L'USO APPROPRIATO DELLE SEGUENTI ISTRUZIONI; PERTANTO E' NECESSARIO CONSERVARE.

**EN** Install in accordance with National electric code, local and federal code specification.

**FR** Veuillez installer ce produit en conformité avec le code électrique national et les spécifications du code local et fédéral.

**ES** Instalar el producto respetando las normas eléctricas nacionales y las especificaciones de las normas locales y federales.

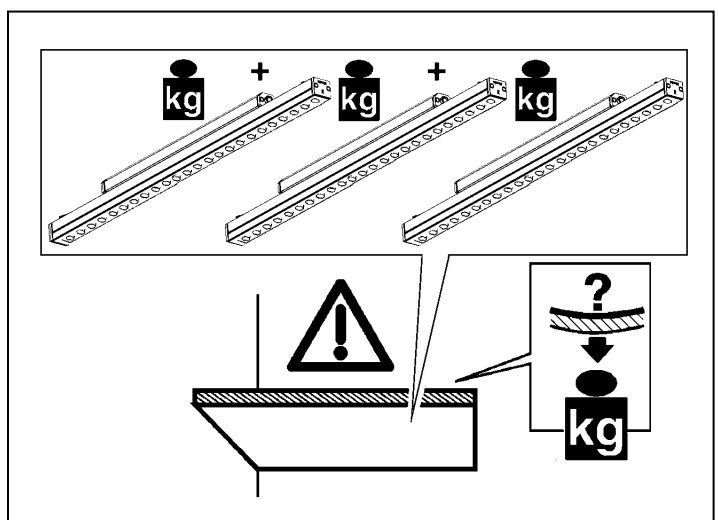
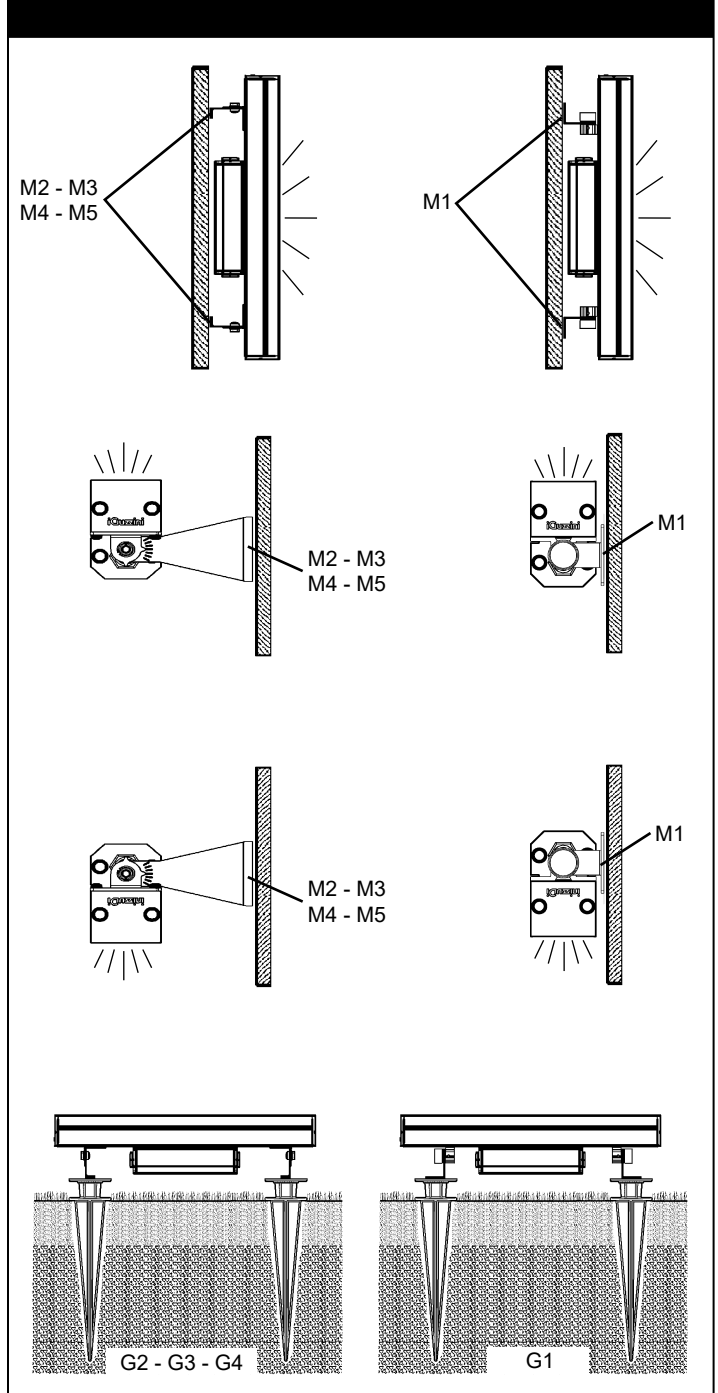
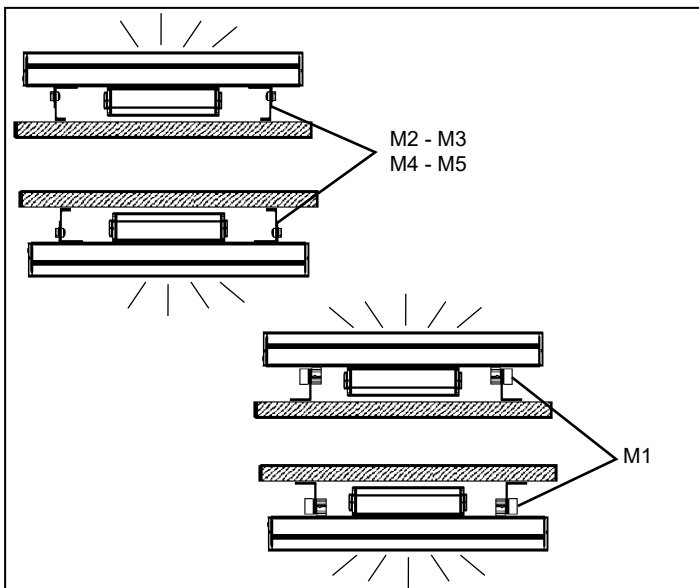
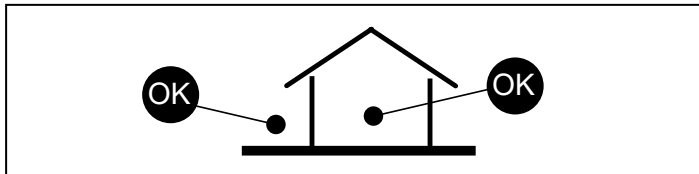
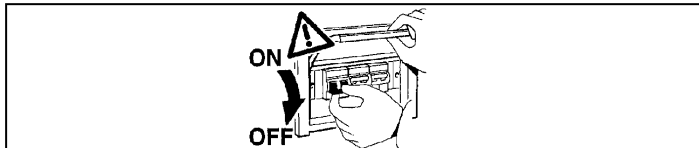
**IT** Si prega di installare questo conformità con il national electrical code e le specifiche del codice locale e federale.

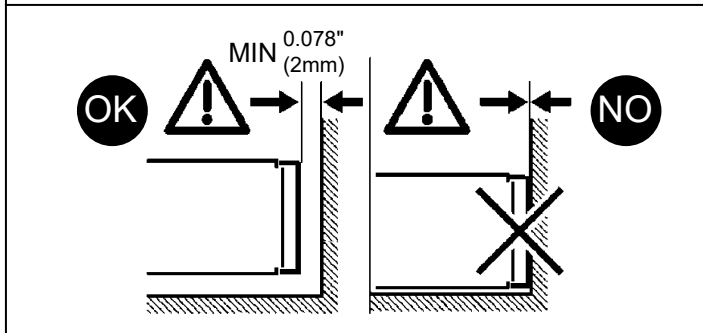
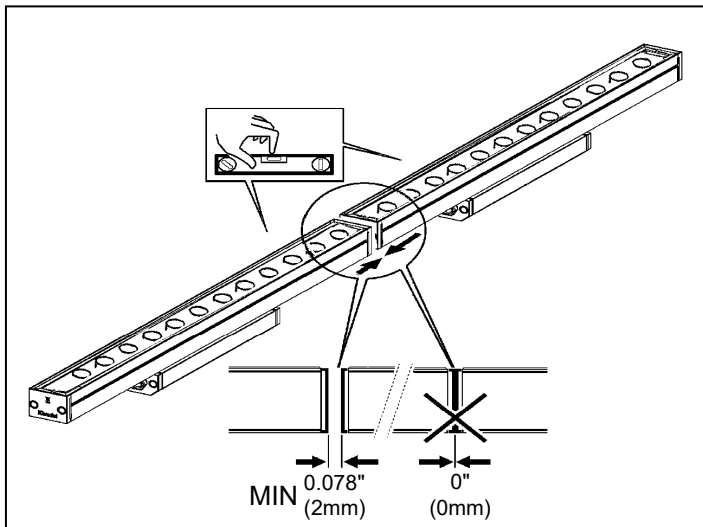
**EN** N.B.: WHEN INSTALLING THE SYSTEM, STRICTLY COMPLY WITH ALL REGULATIONS ON INSTALLATION IN FORCE.

**FR** N.B.: LORS DE L'INSTALLATION DU SYSTÈME VEUILLEZ RESPECTER RIGOREUSEMENT LES NORMES EN VIGUEUR EN LA MATIÈRE.

**ES** N.B.: DURANTE LA INSTALACIÓN DEL SISTEMA RESPECTAR E SCRUPULOSAMENTE LAS NORMAS DE INSTALACIÓN VIGENTES.

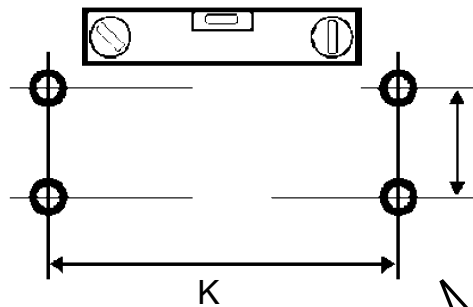
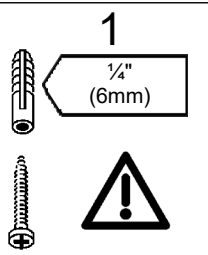
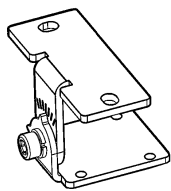
**IT** N.B.: DURANTE L'INSTALLAZIONE DEL SISTEMA RISPETTARE SCRUPOLOSAMENTE LE NORME IMPIANTISTICHE VIGENTI.



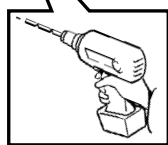


INSTALLATION OF THE MECHANICAL SUPPORTS  
 INSTALLATION DES SUPPORTS MECANIQUES  
 INSTALCIÓN DE LOS SOPORTES MECÁNICOS  
 INSTALLAZIONE DEI SUPPORTI MECCANICI

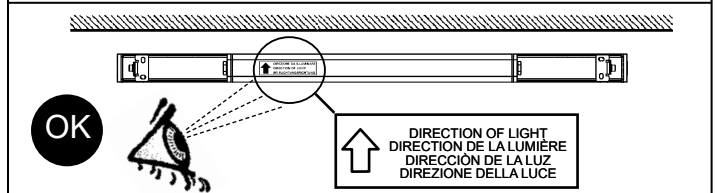
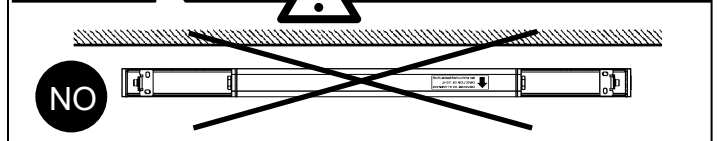
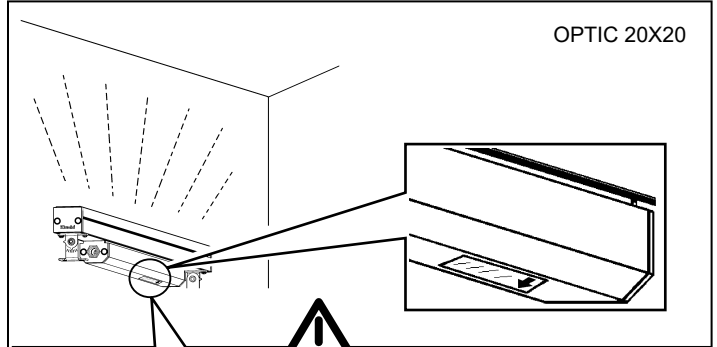
Mtg. M2 - M3  
 M4 - M5



Mtg.	K in (mm)
M2	2 <sup>5</sup> / <sub>16</sub> " (59mm)
M3	1 <sup>1</sup> / <sub>16</sub> " (36mm)
M4	
M5	



OPTIC 20X20



FOR 20X20 OPTIC, PAY ATTENTION TO LIGHT DIRECTION INDICATED BY THE LABEL ON THE LUMINAIRE FOR THESE PRODUCTS. MALE AND FEMALE FEEDER CABLE ARE SUPPLIED TO FACILITATED INSTALLATION FORM BOTH ENDS.

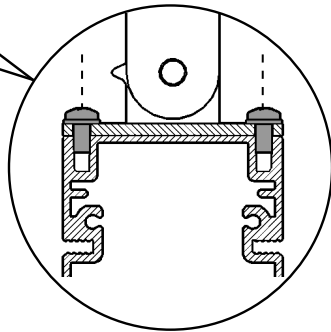
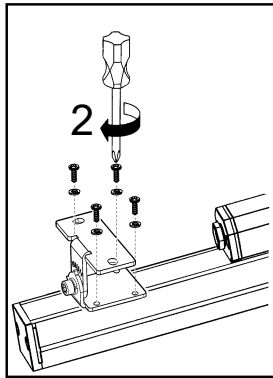
POUR L'OPTIQUE 20X20, FAIRE ATTENTION À LA DIRECTION DE LA LUMIÈRE INDIQUÉE PAR L'ÉTIQUETTE SUR LE PRODUIT. LES CÂBLE MÂLES ET FEMELLES SONT FOURNIS POUR FACILITÉ L'INSTALLATION DE CHAQUE CÔTÉ DU LUMINAIRE.

PARA LA ÓPTICA 20X20, PONGA ATENCIÓN A LA DIRECCIÓN DE LUZ INDICADA POR LA ETIQUETA DE LA LUMINARIA PARA ESTOS PRODUCTOS. EL CABLE DE ALIMENTADOR MACHO Y FEMENINO SE SUMINISTRA EN EL FORMULARIO DE INSTALACIÓN FACILITADO EN AMBOS EXTREMOS.

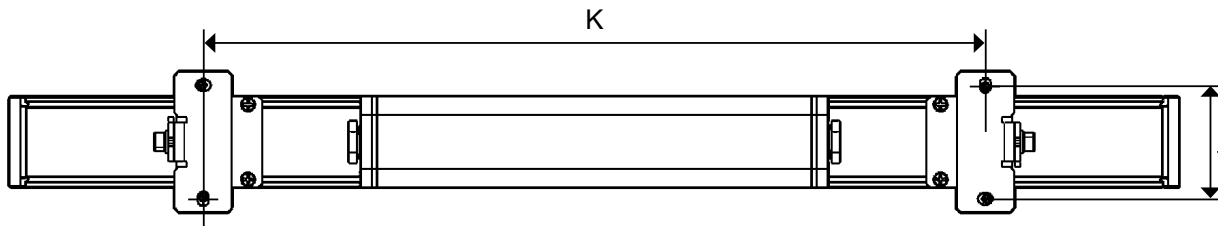
PER OTTICA 20X20, PRESTARE ATTENZIONE ALLA DIREZIONE DELLA LUCE INDICATA DALL'ETICHETTA SULL'APPARECCHIO PER QUESTI PRODOTTI. I CAVI DI ALIMENTAZIONE MASCHIO E FEMMINILE SONO FORNITI AL MODULO DI INSTALLAZIONE FACILITATO ENTRAMBE.



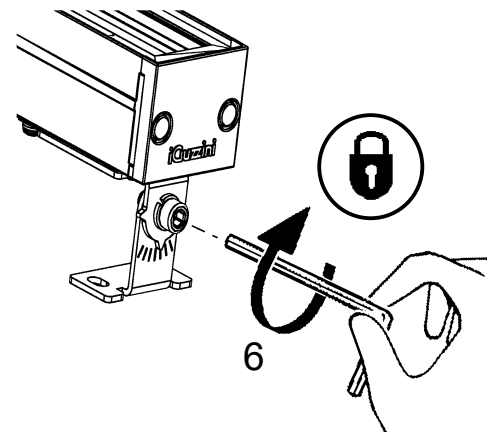
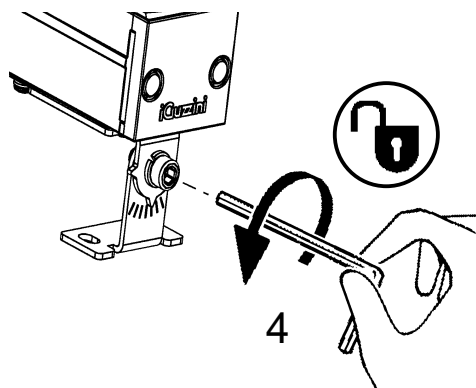
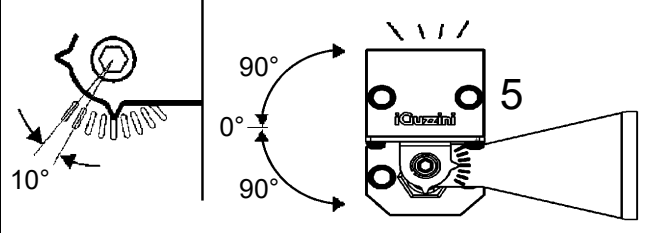
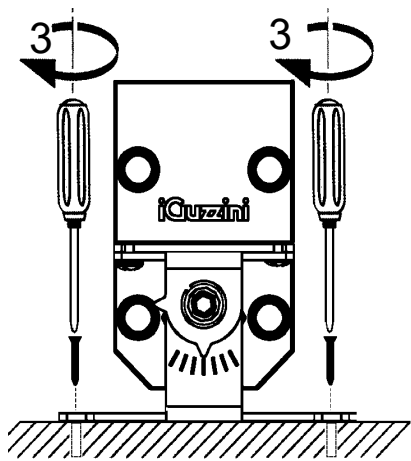
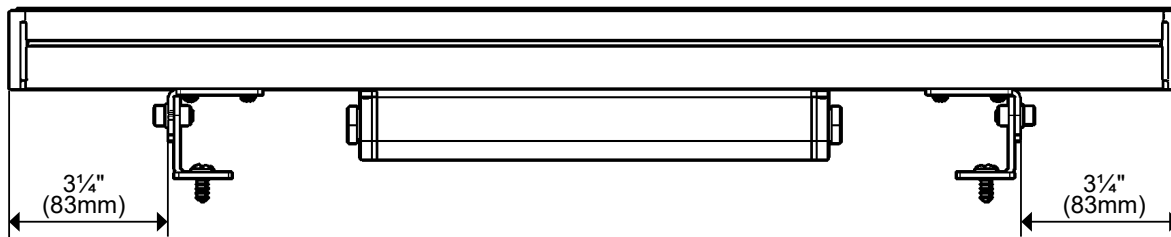
- EN** Any accessories or mechanical supports must be assembled before installing the product.
- FR** Les accessoires et les supports mécaniques doivent être assemblés avant d'installer le produit.
- ES** Ensamblar los accesorios y los soportes mecánicos antes de instalar el producto.
- IT** Gli accessori e i supporti meccanici devono essere assemblati prima di installare il prodotto.

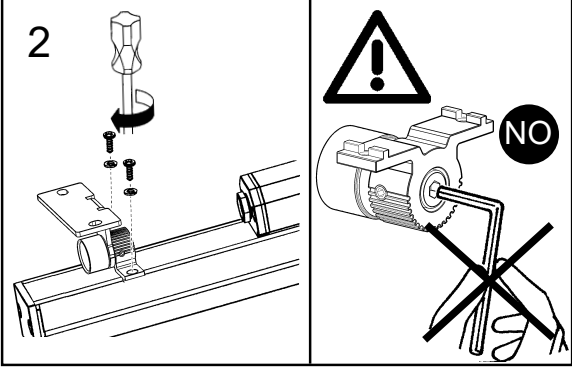
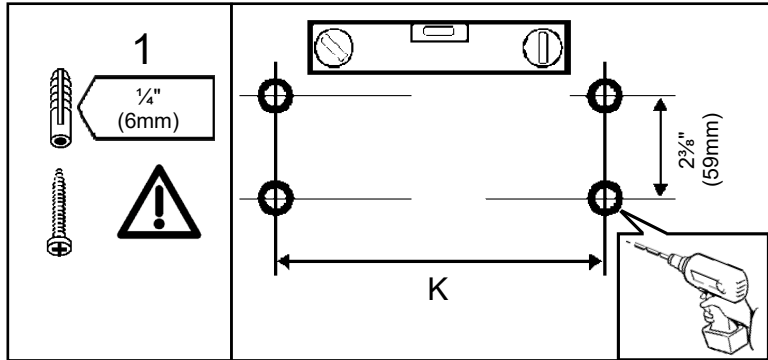
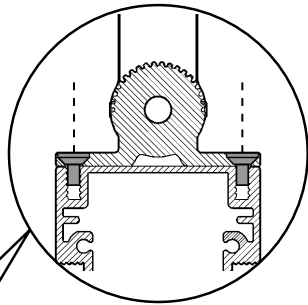
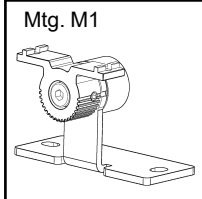


Length	K inch (mm)
2' (611mm)	16" (408mm)
3' (908mm)	27 <sup>3</sup> / <sub>4</sub> " (705mm)
4' (1205mm)	39 <sup>1</sup> / <sub>2</sub> " (1002mm)
5' (1502mm)	51 <sup>1</sup> / <sub>8</sub> " (1299mm)

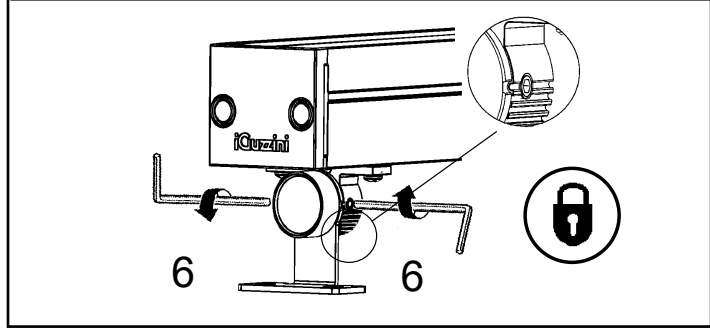
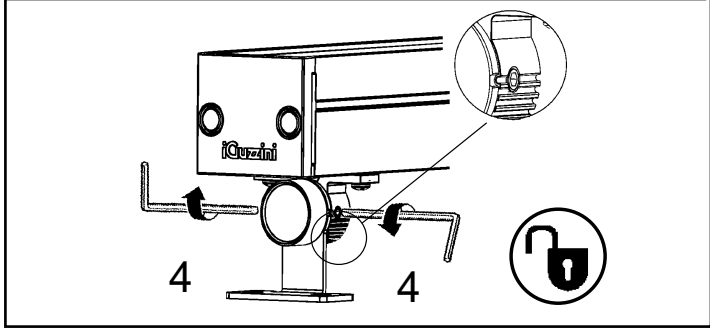
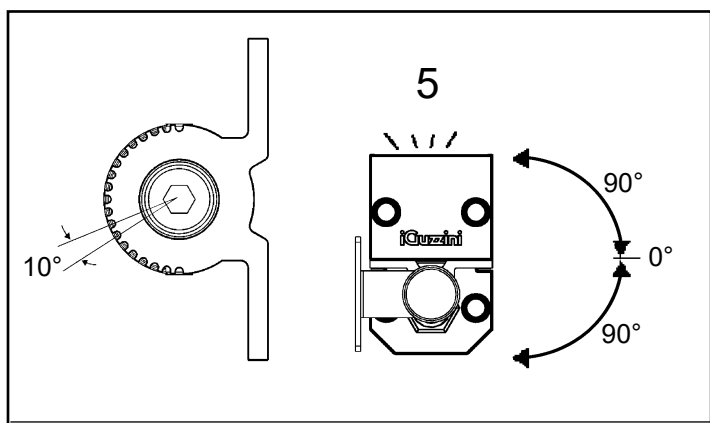
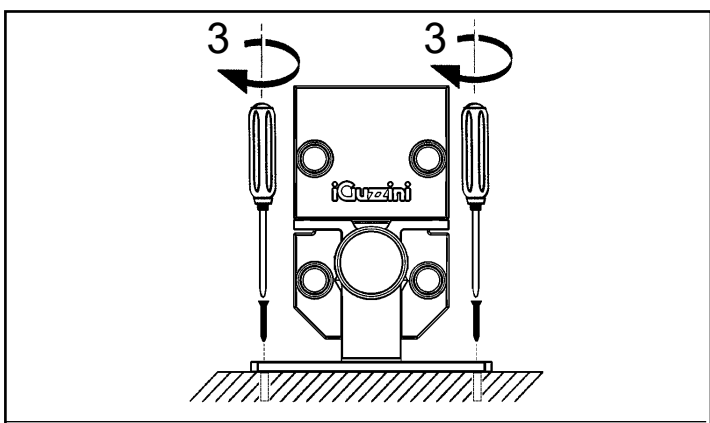
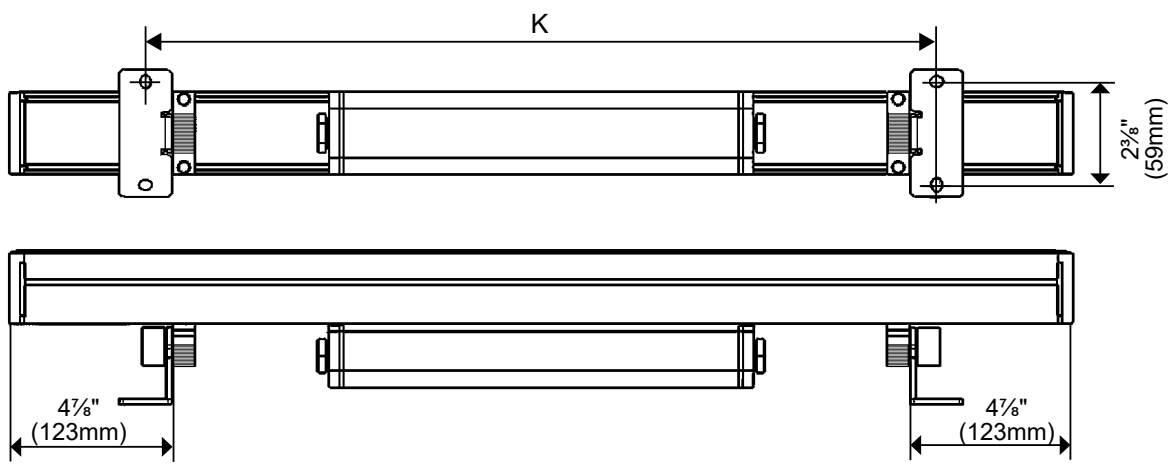


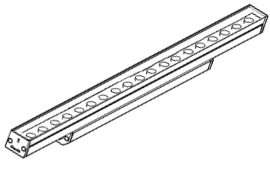


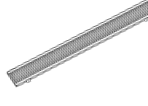


Mtg.	in (mm)
M2	2 <sup>5</sup> / <sub>8</sub> " (59mm)
M3	1 <sup>1</sup> / <sub>8</sub> " (36mm)
M4	
M5	



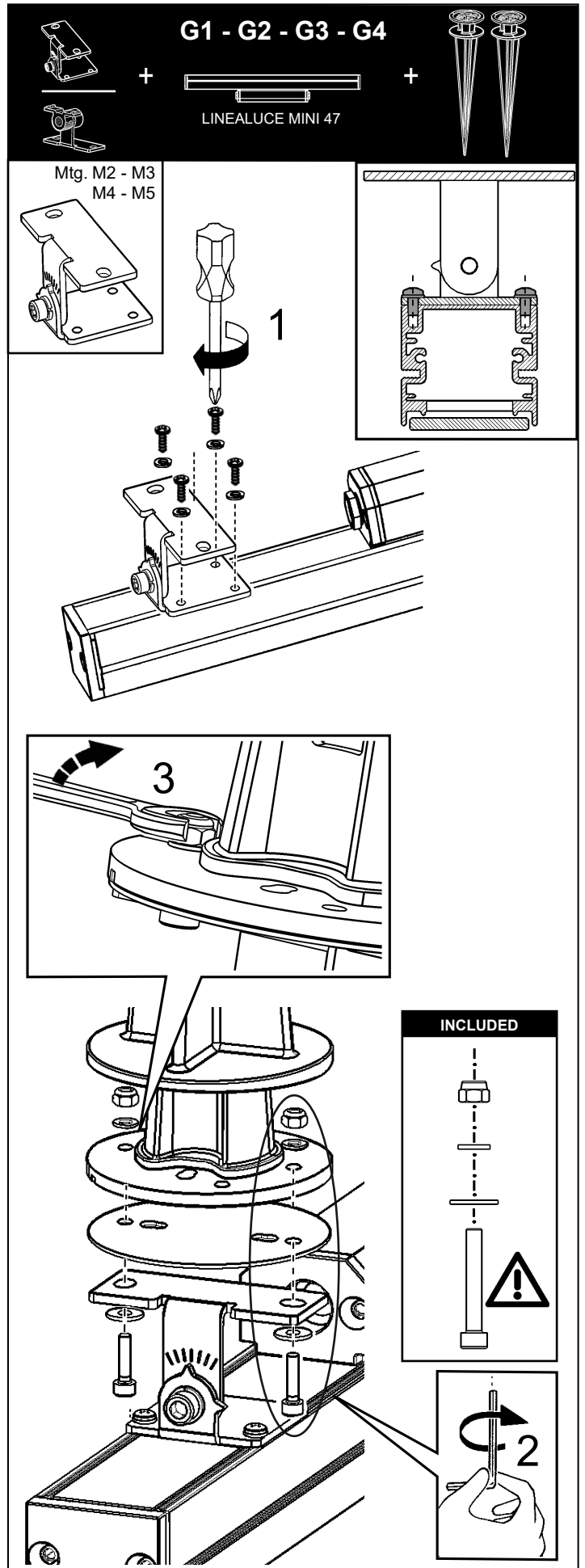
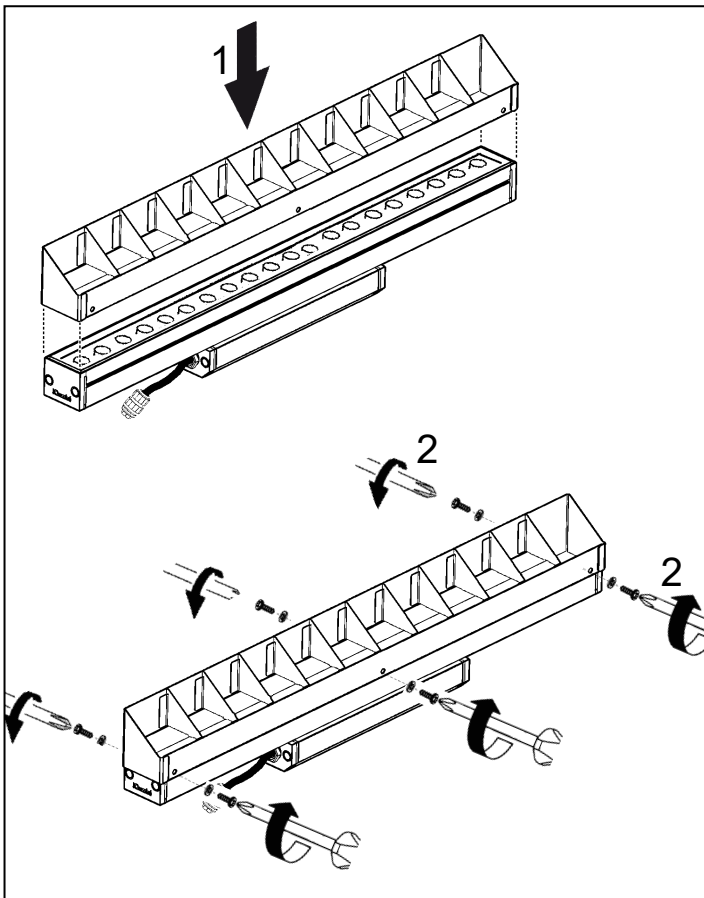
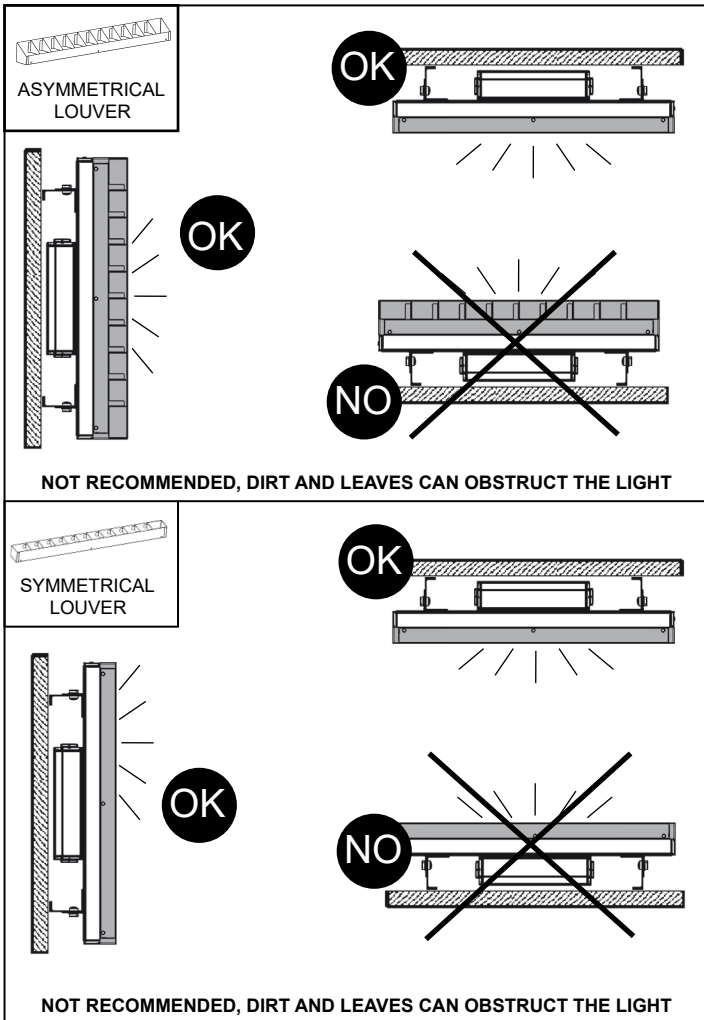


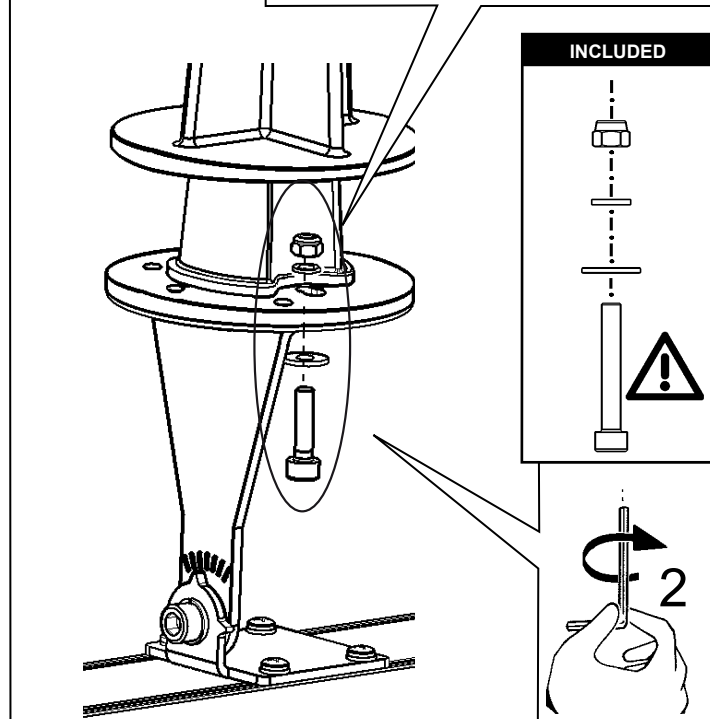
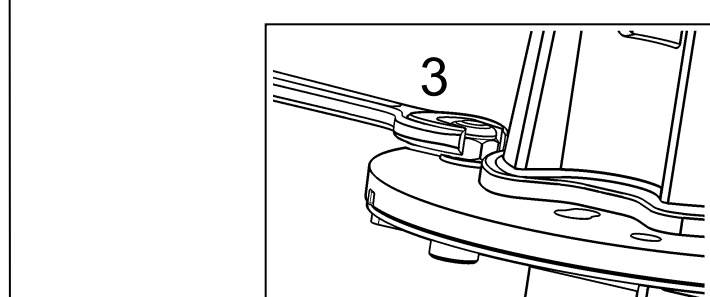
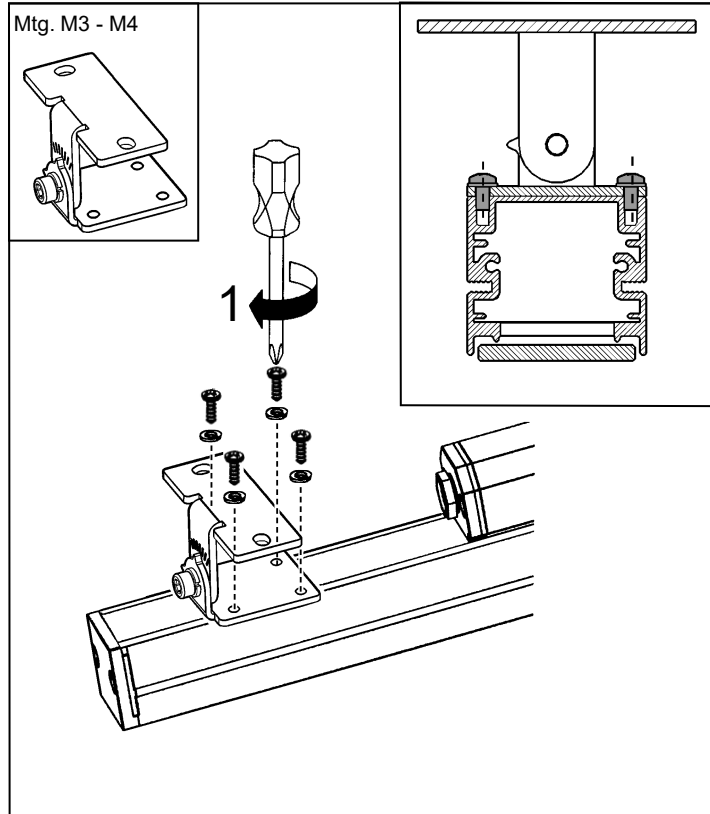
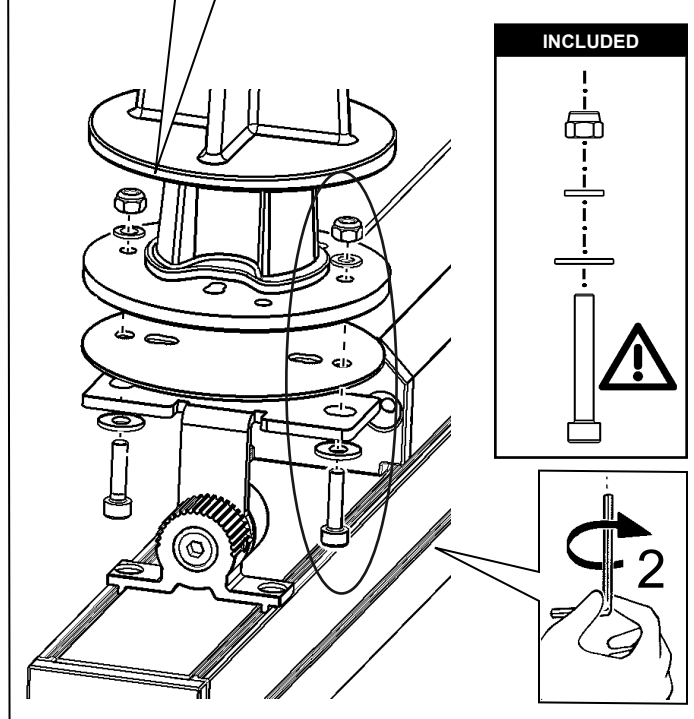
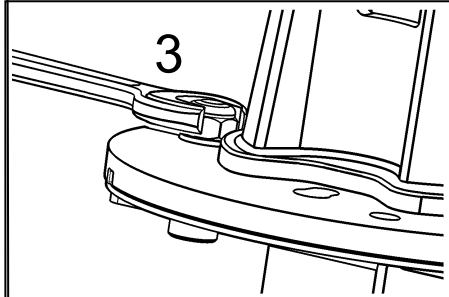
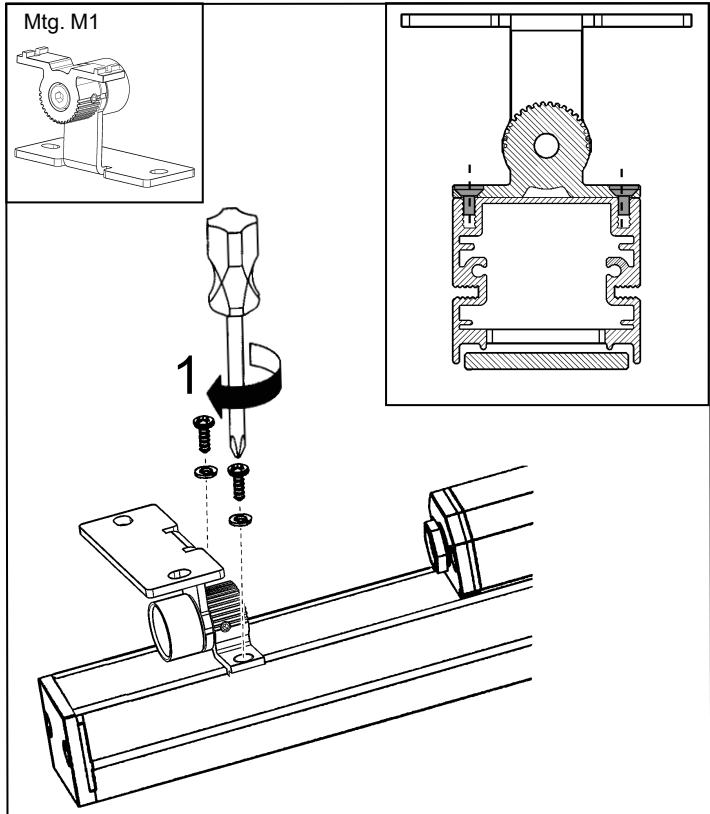
Length.	K <sup>inch</sup> (mm)
2' (611mm)	15 1/2" (394mm)
3' (908mm)	27 1/4" (691mm)
4' (1205mm)	38 3/8" (988mm)
5' (1502mm)	50 5/8" (1285mm)



VERSION		INTERNAL ACCESSORIES			EXTERNAL LOUVER	
		 LONGITUDINAL LOUVER	 TRASVERSAL LOUVER	 HONEYCOMB	 ASYMMETRICAL LOUVER	 SYMMETRICAL LOUVER
WHITE	12X12	✓	✓	✓	✗	✓
	13X18	✓	✗	✗	✓	✗
	20X20	✓	✗	✗	✓	✗
	20X60	✓	✓	✓	✓	✗
	25X45	✓	✓	⊘	✓	✓
	38X38	✓	✓	✓	✗	✓
	42X42	✓	✓	✓	✗	✓
	40X80	✓	✓	⊘	✓	✓
RGB	20X60	✓	✓	✓	✓	✗
	38X38	✓	✓	✓	✗	✓
	40X80	✓	✓	⊘	✓	✓
RGBW	20X60	✓	✓	✓	✓	✗
	38X38	✓	✓	✓	✗	✓
	40X80	✓	✓	⊘	✓	✓
TW	20X60	✓	✓	✓	✓	✗
	38X38	✓	✓	✓	✗	✓
	40X80	✓	✓	⊘	✓	✓

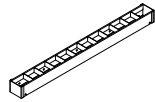
LEGENDE	
✓	COMPATIBLE
✗	NOT SUGGESTED
⊘	NOT COMPATIBLE



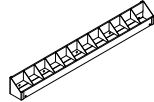


# MOUNTING

## EXTERNAL LOUVER



A1  
SYMMETRICAL  
LOUVER



A2  
ASYMMETRICAL  
LOUVER

<p>Ground spike + Short arm with granular adjustment</p>	G1	✓	✓
<p>Ground spike + Short adjustable arms</p>	G2	✓	✓
<p>Ground spike + Adjustable arms L: 2 3/8"</p>	G3	✓	✓
<p>Ground spike + Adjustable arms L: 3 1/8"</p>	G4	✗	✗
<p>Ground spike + Adjustable arms L: 7 1/8"</p>	N/A	✗	✗



- EN** If the external flexible cable or cord of this luminaire is damaged, it shall be exclusively replaced by the manufacturer or his service agent or a similar qualified person in order to avoid a hazard
- FR** Si le cordon ou le câble flexible extérieur de l'appareil est endommagé faites - le remplacer exclusivement par le fabricant, l'agent service clients ou par une personne qualifiée, de manière à éviter tout risque.
- ES** En caso de estar dañado el cordón o el cable flexible externo del aparato, hágalo sustituir exclusivamente por el fabricante, por el encargado del servicio clientes o por una persona calificada para evitar cualquier tipo de riesgo.
- IT** Nel caso in cui il cordone o il cavo flessibile esterno dell'apparecchio risulti danneggiato, sostituire esclusivamente dal produttore, dall'addetto al servizio clienti o da una persona qualificata in modo da evitare qualsiasi rischio.

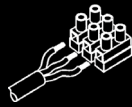
- EN** N.B.: For information on LED replacement please contact iGuzzini.
- FR** N.B.: Pour procéder au remplacement de la LED, adressez-vous à la société iGuzzini.
- ES** NOTA: Para sustituir el LED llame a la empresa iGuzzini.
- IT** N.B.: Per la sostituzione del LED contattare l'azienda iGuzzini.

- EN** All installation positions must comply with those illustrated. In the event of any doubt, contact iGuzzini.
- FR** Pour les positions d'installation, se conformer aux positions illustrées; contactez la société iGuzzini en cas de nécessité.
- ES** Respetar las posiciones de instalación ilustradas y, en caso de duda, contactar con iGuzzini.
- IT** Per le posizioni di installazione, attenersi a quelle illustrate, eventualmente contattare la iGuzzini.

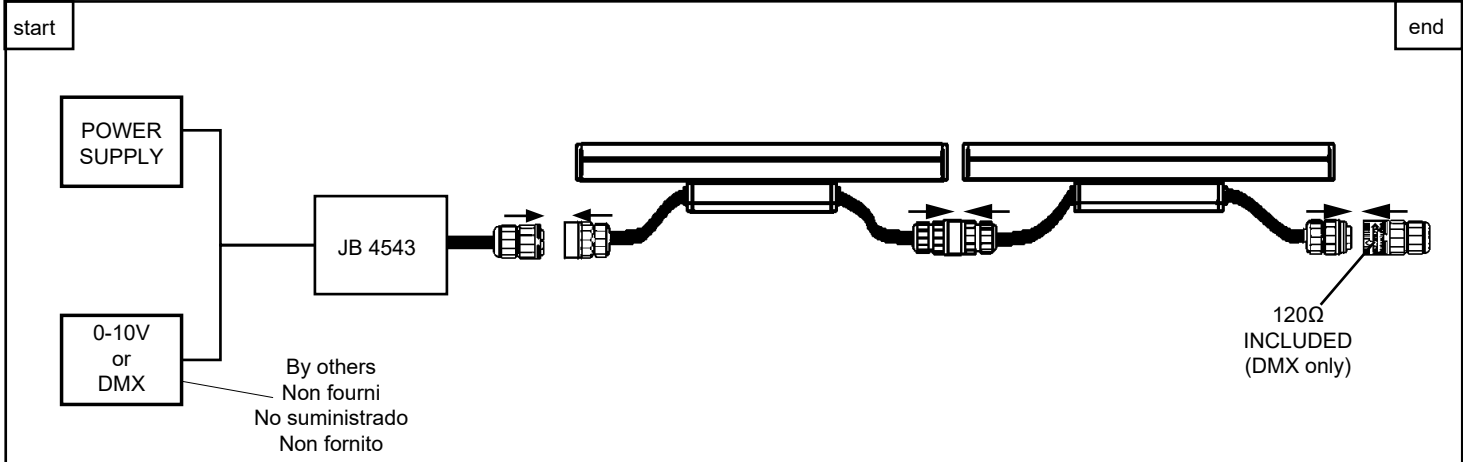
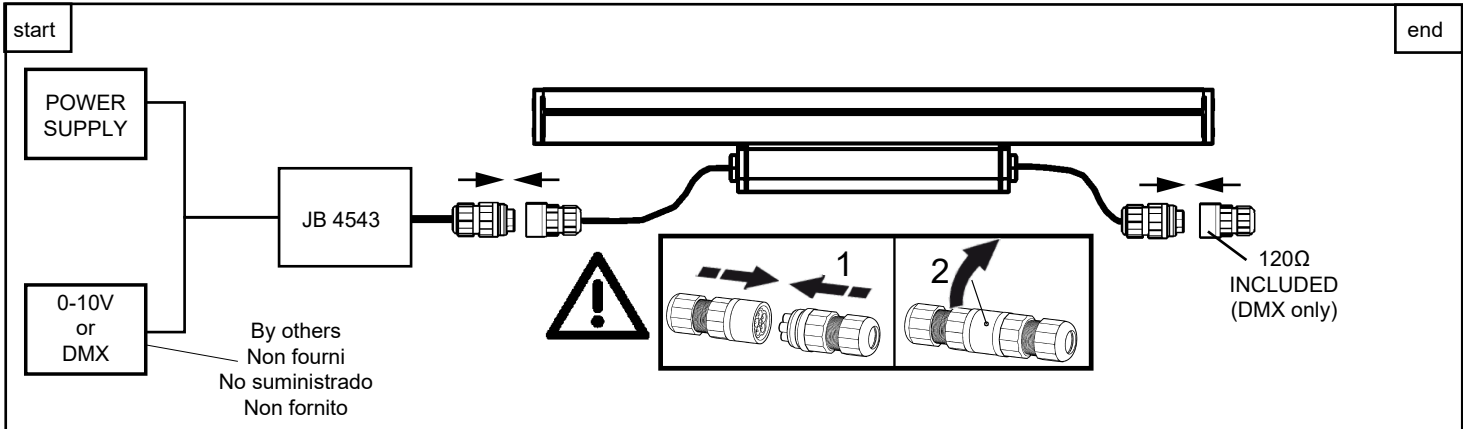


- EN** Should the lenses break, the product cannot be used. Contact the manufacturer for replacement.
- FR** En cas de rupture des lentilles, le produit ne peut plus être utilisé. Contactez le fabricant pour procéder à son remplacement.
- ES** En caso de rotura de las lentes, el producto no puede utilizarse y se debe contactar con el fabricante para su sustitución.
- IT** In caso di rottura delle lenti il prodotto non può essere utilizzato, contattare il costruttore per la sua sostituzione.





ART.	V input
WHITE - RGBW	44 @ 52 VDC
RGB - TUNABLE WHITE	48 @ 52 VDC



**EN** FOR 20X20 OPTIC, PAY ATTENTION TO LIGHT DIRECTION INDICATED BY THE LABEL ON THE LUMINAIRE FOR THESE PRODUCTS. MALE AND FEMALE FEEDER CABLE ARE SUPPLIED TO FACILITATE INSTALLATION FROM BOTH ENDS.

**FR** POUR L'OPTIQUE 20X20, FAITES ATTENTION À LA DIRECTION DE LA LUMIÈRE INDIQUÉE PAR L'ÉTIQUETTE SUR LE PRODUIT. LES CÂBLES MÂLES ET FEMELLES SONT FOURNIS POUR FACILITER L'INSTALLATION DE CHAQUE CÔTÉ DU LUMINAIRE.

**ES** PARA LA ÓPTICA 20X20, PONGA ATENCIÓN A LA DIRECCIÓN DE LUZ INDICADA POR LA ETIQUETA DE LA LUMINARIA PARA ESTOS PRODUCTOS. EL CABLE DE ALIMENTADOR MACHO Y FEMENINO SE SUMINISTRA EN EL FORMULARIO DE INSTALACIÓN FACILITADO EN AMBOS EXTREMOS.

**IT** PER OTTICA 20X20, PRESTARE ATTENZIONE ALLA DIREZIONE DELLA LUCE INDICATA DALL'ETICHETTA SULL'APPARECCHIO PER QUESTI PRODOTTI. I CAVI DI ALIMENTAZIONE MASCHIO E FEMMINILE SONO FORNITI AL MODULO DI INSTALLAZIONE FACILITATO ENTRAMBE.

DIRECTION OF LIGHT  
DIRECTION DE LA LUMIÈRE  
DIRECCIÓN DE LA LUZ  
DIREZIONE DELLA LUCE

**DMX**

DMX COM

48V-

48V+

D1+

D1-

**0-10V**

48V-

48V+

0-10V DIM+

0-10V DIM-

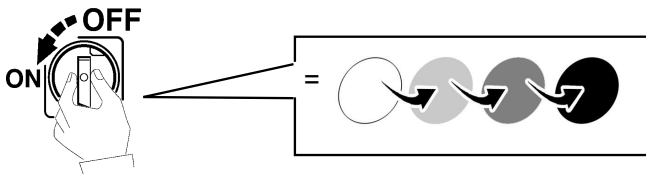
9

Product version	ADDRESS N°	DMX ADDRESSES			
		1	2	3	4
WHITE	1	White			
TW	3	Warm	Neutral	Cool	
RGB	3	Red	Green	Blue	
RGBW	4	Red	Green	Blue	White

- EN** Before powering the system, make sure polarities were properly connected. Incorrect connection may cause the product to malfunction.
- FR** Avant de mettre l'installation sous tension, assurez-vous que la polarité de connexion est respectée. Une erreur de connexion peut entraîner le mauvais fonctionnement du produit.
- ES** Antes de alimentar la instalación compruebe que la conexión de las polaridades sea correcta. Una conexión incorrecta puede ocasionar el malfuncionamiento de los productos.
- IT** Prima di alimentare l'impianto assicurarsi del corretto collegamento delle polarità. Un errato collegamento può comportare il malfunzionamento dei prodotti.

## NO DMX

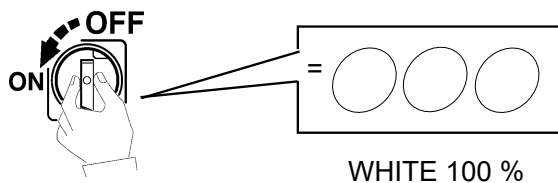
RGB - RGBW - TW



- EN** "Color wheel synchronism not ensured if several products powered without DMX control system."
- FR** «Le synchronisme du changement de couleur pour le mode demo n'est pas assuré dans le cas où plusieurs appareils sont alimentés sans système de contrôle DMX.»
- ES** "No se garantiza el sincronismo de la variación cromática en caso de productos múltiples alimentados sin sistema de control DMX."
- IT** "Non si garantisce il sincronismo della ruota colori di piu' prodotti alimentati senza sistema di controllo DMX."

## NO 0-10V / NO DMX

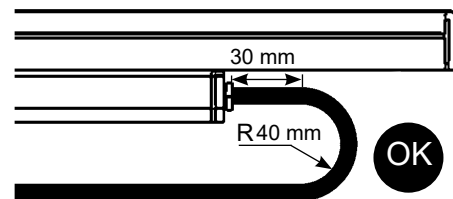
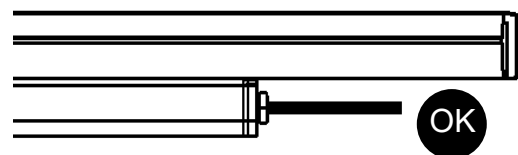
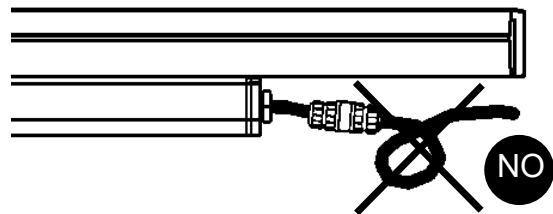
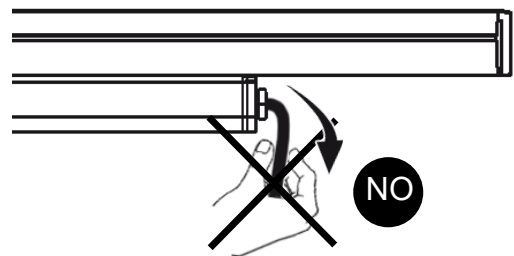
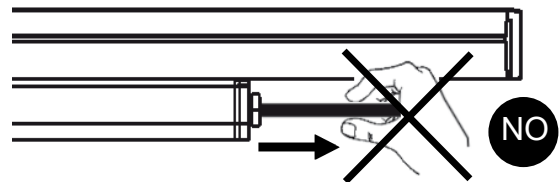
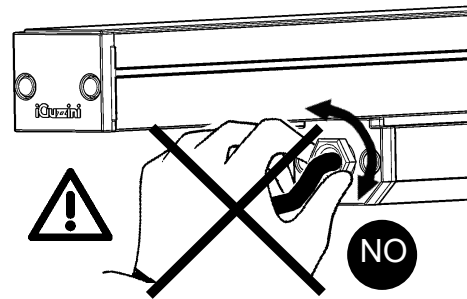
WHITE

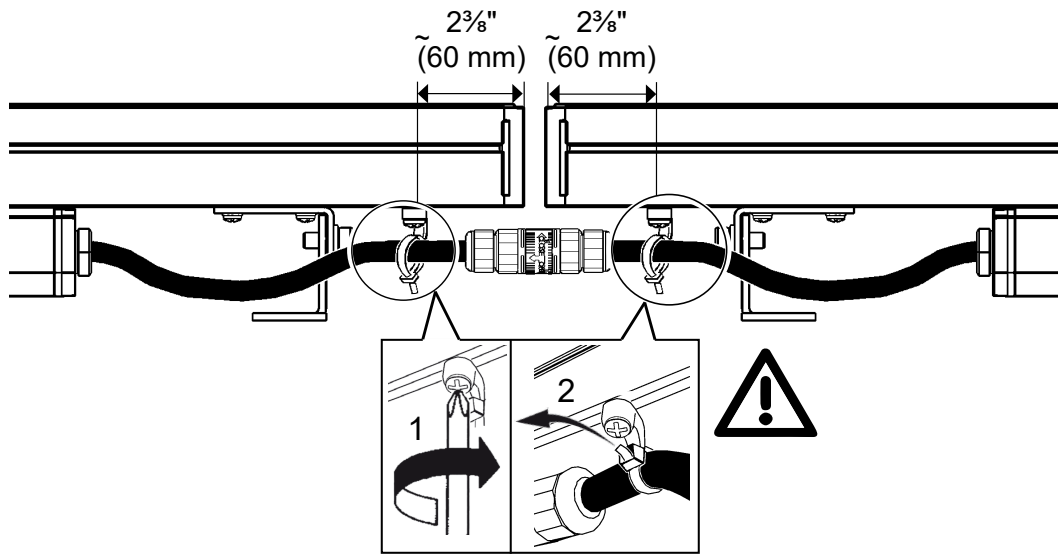


- EN** N.B.: To close the DMX line, add 120Ω resistor onto the last module.
- FR** N.B.: Pour fermer la ligne DMX, ajouter la résistance 120Ω au dernier luminaire.
- ES** Nota: Para cerrar el circuito DMX, añadir la resistencia de 120Ω al último módulo.
- IT** N.B.: Per chiudere la linea DMX, inserire sull' ultimo modulo la resistenza 120Ω.



- EN** Handle with care and do not subject to mechanical stress.
- FR** Manipulez avec précaution et ne pas soumettre à des contraintes mécaniques.
- ES** Manejar con cuidado y no someter a tensiones mecánicas.
- IT** Maneggiare con cura e non sottoporre a tensioni meccaniche.





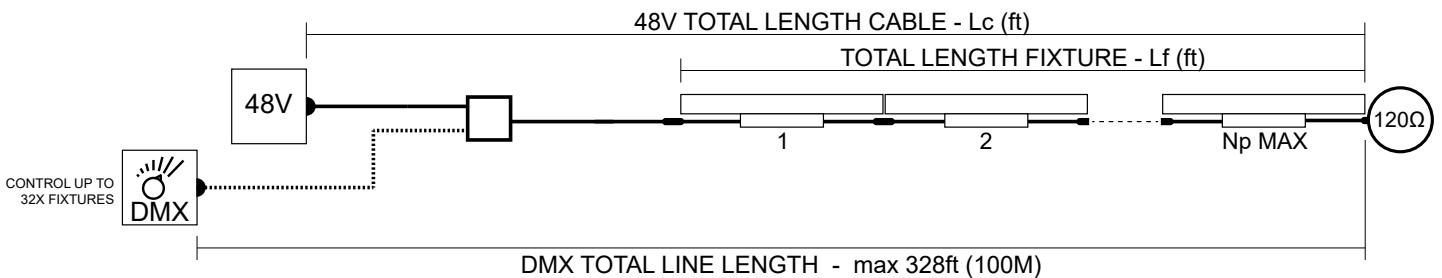
## MAX CABLE LENGTH (LC) FORMULA

$I[A]$  = Ampere for one fixture  
 $N_p$  = number of products  
 $L_f(\text{ft})$  = Total length of the Linealuce  
 $L_c(\text{ft})$  = Total length of the power supply wire  
 (fixtures included)

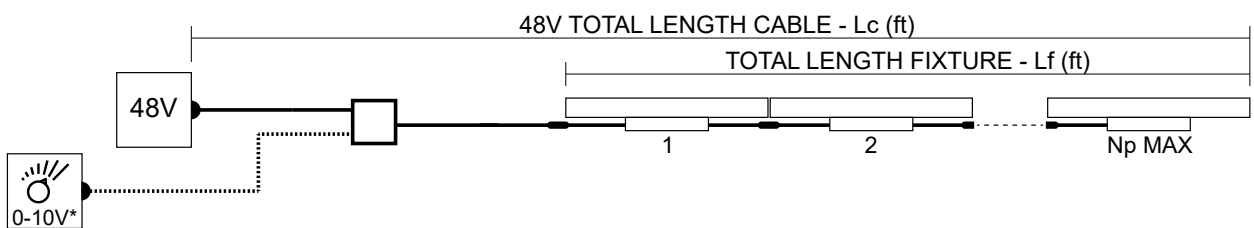
$$L_c(\text{ft}) = \frac{\Delta x[V] \times S_c[\text{mm}^2]}{N_p \times I[A] \times 0.1141}$$

$\Delta x[V]$  = (MAX Voltage of driver 52  
 (MIN Voltage of Linealuce 44 OR 48V)  
 WHITE and RGBW = 52 - 44V = 8V  
 RGB and TW = 52 - 48V = 4V  
 $S_c [\text{mm}^2] = 18\text{ga} = 0.823\text{mm}^2$

## WIRING DIAGRAM - WITH DMX

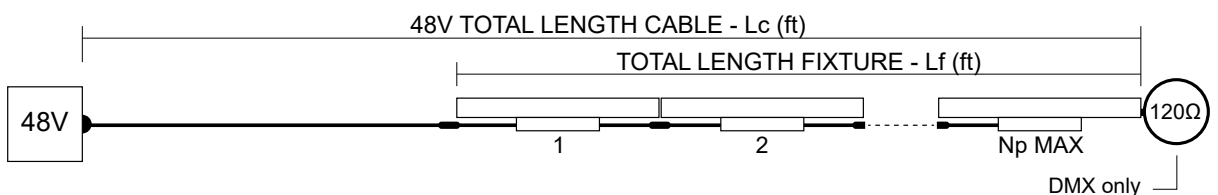


## WIRING DIAGRAM - WITH 0-10V



\*The dimming current of the DC driver is a source current, it must be controlled by a sink current dimmer, considering 1mA per fixture.

## WIRING DIAGRAM - NO 0-10V / NO DMX



## LINEALUCE 47 WHITE BASE OUTPUT (BO) TABLE

Nominal length (ft)	Composition				Actual total length (Lf)	Total wattage (W)	Total cable length (Lc) <sup>(1)</sup>		
	2' (611mm) 8.5W	3' (908mm) 12.3W	4' (1205mm) 15W	5' (1502mm) 20W			4554-0048-120-UNV-ND <sup>(2)</sup>	4554-0048-240-UNV-ND <sup>(2)</sup>	4554-0048-480-UNV-ND <sup>(2)</sup>
2	1	-	-	-	2' (611mm)	8.5	3212' (979.07m) <sup>(3)</sup>	-	-
3	-	1	-	-	2'-11¼" (908mm)	12.3	2220' (676.59m) <sup>(3)</sup>	-	-
4	-	-	1	-	3'-11½" (1.21m)	15.0	1820' (554.80m) <sup>(3)</sup>	-	-
5	-	-	-	1	4'-11⅝" (1.50m)	20.0	1365' (416.10m) <sup>(3)</sup>	-	-
6	-	2	-	-	5'-11⅞" (1.82m)	24.6	1110' (338.30m) <sup>(3)</sup>	-	-
7	-	1	1	-	6'-11⅞" (2.12m)	27.3	1000' (304.84m) <sup>(3)</sup>	-	-
8	-	-	2	-	7'-11" (2.41m)	30.0	910' (277.40m) <sup>(3)</sup>	-	-
9	-	-	1	1	8'-10⅝" (2.71m)	35.0	780' (237.77m) <sup>(3)</sup>	-	-
10	-	-	-	2	9'-10⅜" (3.01m)	40.0	683' (208.05m) <sup>(3)</sup>	-	-
11	1	-	1	1	10'-10¾" (3.32m)	43.5	628' (191.31m) <sup>(3)</sup>	-	-
12	1	-	-	2	11'-10½" (3.62m)	48.5	563' (171.59m) <sup>(3)</sup>	-	-
13	-	1	-	2	12'-10⅞" (3.92m)	52.3	522' (159.12m) <sup>(3)</sup>	-	-
14	-	-	1	2	13'-9⅞" (4.21m)	55.0	496' (151.31m) <sup>(3)</sup>	-	-
15	-	-	-	3	14'-9½" (4.51m)	60.0	455' (138.70m) <sup>(3)</sup>	-	-
16	1	-	1	2	15'-10" (4.83m)	63.5	430' (131.06m) <sup>(3)</sup>	-	-
17	1	-	-	3	16'-9¾" (5.12m)	68.5	399' (121.49m) <sup>(3)</sup>	-	-
18	-	1	-	3	17'-9⅞" (5.42m)	72.3	378' (115.10m) <sup>(3)</sup>	-	-
19	-	-	1	3	18'-9⅞" (5.72m)	75.0	364' (110.96m) <sup>(3)</sup>	-	-
20	-	-	-	4	19'-8¾" (6.01m)	80.0	341' (104.03m) <sup>(3)</sup>	-	-
21	1	-	1	3	20'-9¼" (6.33m)	83.5	327' (99.67m)	-	-
22	1	-	-	4	21'-8⅞" (6.63m)	88.5	309' (94.03m)	-	-
23	-	1	-	4	22'-8⅞" (6.92m)	92.3	296' (90.16m)	-	-
24	-	-	1	4	23'-8¼" (7.22m)	95.0	287' (87.60m)	-	-
25	-	-	-	5	24'-8" (7.52m)	100.0	273' (83.22m)	-	-
26	1	-	1	4	25'-8⅞" (7.83m)	103.5	264' (80.41m)	-	-
27	1	-	-	5	26'-8⅞" (8.13m)	108.5	252' (76.70m)	-	-
28	-	1	-	5	27'-7¾" (8.43m)	112.3	243' (74.11m)	-	-
29	-	-	1	5	28'-7½" (8.73m)	115.0	237' (72.37m)	-	-
30	-	-	-	6	29'-7¼" (9.02m)	120.0	-	228' (69.35m)	-
31	1	-	1	5	30'-7⅞" (9.34m)	123.5	-	221' (67.39m)	-
32	1	-	-	6	31'-7⅞" (9.64m)	128.5	-	212' (64.76m)	-
33	-	1	-	6	32'-7" (9.93m)	132.3	-	206' (62.90m)	-
34	-	-	1	6	33'-6¾" (10.23m)	135.0	-	202' (61.64m)	-
35	-	-	-	7	34'-6⅞" (10.53m)	140.0	-	195' (59.44m)	-
36	1	-	1	6	35'-6⅞" (10.84mm)	143.5	-	190' (57.99m)	-
37	1	-	-	7	36'-6½" (11.14m)	148.5	-	184' (56.04m)	-
38	-	1	-	7	37'-6¼" (11.44m)	152.3	-	179' (54.64m)	-
39	-	-	1	7	38'-5⅞" (11.73m)	155.0	-	176' (53.69m)	-
40	-	-	-	8	39'-5⅞" (12.03m)	160.0	-	171' (52.01m)	-

<sup>(1)</sup> Cable lengths calculated with 52V power supplies.

<sup>(2)</sup> Power supply set to 52V by factory for maximum cable length.

<sup>(3)</sup> DMX signal cable length limited to 328' (100m).

## LINEALUCE 47 WHITE BASE OUTPUT (BO) TABLE (CONTINUED)

Nominal length (ft)	Composition				Actual total length (Lf)	Total wattage (W)	Total cable length (Lc) <sup>(1)</sup>		
	2' (611mm) 8.5W	3' (908mm) 12.3W	4' (1205mm) 15W	5' (1502mm) 20W			4554-0048-120-UNV-ND <sup>(2)</sup>	4554-0048-240-UNV-ND <sup>(2)</sup>	4554-0048-480-UNV-ND <sup>(2)</sup>
41	1	-	1	7	40'-6 $\frac{1}{8}$ " (12.35m)	163.5	-	167' (50.90m)	-
42	1	-	-	8	41'-5 $\frac{3}{4}$ " (12.64m)	168.5	-	162' (49.39m)	-
43	-	1	-	8	42'-5 $\frac{1}{2}$ " (12.94m)	172.3	-	158' (48.3m)	-
44	-	-	1	8	43'-5 $\frac{7}{8}$ " (13.24m)	175.0	-	156' (47.55m)	-
45	-	-	-	9	44'-4 $\frac{7}{8}$ " (13.53m)	180.0	-	152' (46.23m)	-
46	1	-	1	8	45'-5 $\frac{1}{4}$ " (13.85m)	183.5	-	149' (45.35m)	-
47	1	-	-	9	46'-5" (14.15m)	188.5	-	145' (44.15m)	-
48	-	1	-	9	47'-4 $\frac{5}{8}$ " (14.44m)	192.3	-	142' (43.28m)	-
49	-	-	1	9	48'-4 $\frac{3}{8}$ " (14.74m)	195.0	-	140' (42.68m)	-
50	-	-	-	10	49'-4" (15.04m)	200.0	-	137' (41.61m)	-
51	1	-	1	9	50'-4 $\frac{1}{2}$ " (15.35m)	203.5	-	134' (40.89m)	-
52	1	-	-	10	51'-4 $\frac{1}{8}$ " (15.65m)	208.5	-	131' (39.91m)	-
53	-	1	-	10	52'-3 $\frac{7}{8}$ " (15.95m)	212.3	-	129' (39.20m)	-
54	-	-	1	10	53'-3 $\frac{5}{8}$ " (16.25m)	215.0	-	127' (38.71m)	-
55	-	-	-	11	54'-3 $\frac{1}{4}$ " (16.54m)	220.0	-	124' (37.83m)	-
56	1	-	1	10	55'-3 $\frac{3}{4}$ " (16.86m)	223.5	-	122' (37.24m)	-
57	1	-	-	11	56'-3 $\frac{3}{8}$ " (17.16m)	228.5	-	119' (36.42m)	-
58	-	1	-	11	57'-3 $\frac{1}{8}$ " (17.45m)	232.3	-	118' (35.82m)	-
59	-	-	1	11	58'-2 $\frac{3}{4}$ " (17.75m)	235.0	-	116' (35.41m)	-
60	-	-	-	12	59'-2 $\frac{1}{2}$ " (18.05m)	240.0	-	-	114' (34.68m)
61	1	-	1	11	60'-2 $\frac{7}{8}$ " (18.36m)	243.5	-	-	112' (34.18m)
62	1	-	-	12	61'-2 $\frac{5}{8}$ " (18.66m)	248.5	-	-	110' (33.49m)
63	-	1	-	12	62'-2 $\frac{1}{4}$ " (18.96m)	252.3	-	-	108' (32.98m)
64	-	-	1	12	63'-2" (19.25m)	255.0	-	-	107' (32.64m)
65	-	-	-	13	64'-1 $\frac{5}{8}$ " (19.55m)	260.0	-	-	105' (32.01m)
66	1	-	1	12	65'-2 $\frac{1}{8}$ " (19.87m)	263.5	-	-	104' (31.58m)
67	1	-	-	13	66'-1 $\frac{7}{8}$ " (20.16m)	268.5	-	-	102' (30.99m)
68	-	1	-	13	67'-1 $\frac{1}{2}$ " (20.46m)	272.3	-	-	100' (30.56m)
69	-	-	1	13	68'-1 $\frac{1}{4}$ " (20.76m)	275.0	-	-	99' (30.26m)

<sup>(1)</sup> Cable lengths calculated with 52V power supplies.

<sup>(2)</sup> Power supply set to 52V by factory for maximum cable length.

<sup>(3)</sup> DMX signal cable length limited to 328' (100m).

## LINEALUCE 47 WHITE MEDIUM OUTPUT (MO) TABLE

Nominal length (ft)	Composition				Actual total length (Lf)	Total wattage (W)	Total cable length (Lc) <sup>(1)</sup>		
	2' (611mm) 14.7W	3' (908mm) 22.1W	4' (1205mm) 27W	5' (1502mm) 33W			4554-0048-120-UNV-ND <sup>(2)</sup>	4554-0048-240-UNV-ND <sup>(2)</sup>	4554-0048-480-UNV-ND <sup>(2)</sup>
2	1	-	-	-	2' (611mm)	14.7	1857' (566.16m) <sup>(3)</sup>	-	-
3	-	1	-	-	2'-11¼" (908mm)	22.1	1236' (376.56m) <sup>(3)</sup>	-	-
4	-	-	1	-	3'-11½" (1.21m)	27.0	1011' (308.22m) <sup>(3)</sup>	-	-
5	-	-	-	1	4'-11⅝" (1.50m)	33.0	827' (252.18m) <sup>(3)</sup>	-	-
6	-	2	-	-	5'-11⅞" (1.82m)	44.2	618' (188.28m) <sup>(3)</sup>	-	-
7	-	1	1	-	6'-11⅞" (2.12m)	49.1	556' (169.49m) <sup>(3)</sup>	-	-
8	-	-	2	-	7'-11" (2.41m)	54.0	506' (154.11m) <sup>(3)</sup>	-	-
9	-	-	1	1	8'-10⅝" (2.71m)	60.0	455' (138.7m) <sup>(3)</sup>	-	-
10	-	-	-	2	9'-10⅞" (3.01m)	66.0	414' (126.09m) <sup>(3)</sup>	-	-
11	1	-	1	1	10'-10¾" (3.32m)	74.7	366' (111.41m) <sup>(3)</sup>	-	-
12	1	-	-	2	11'-10½" (3.62m)	80.7	338' (103.12m) <sup>(3)</sup>	-	-
13	-	1	-	2	12'-10⅞" (3.92m)	88.1	310' (94.46m)	-	-
14	-	-	1	2	13'-9⅞" (4.21m)	93.0	294' (89.48m)	-	-
15	-	-	-	3	14'-9½" (4.51m)	99.0	276' (84.06m)	-	-
16	1	-	1	2	15'-10" (4.83m)	107.7	254' (77.27m)	-	-
17	1	-	-	3	16'-9¼" (5.12m)	113.7	240' (73.19m)	-	-
18	-	1	-	3	17'-9⅞" (5.42m)	121.1	-	225' (68.72m)	-
19	-	-	1	3	18'-9⅞" (5.72m)	126.0	-	217' (66.04m)	-
20	-	-	-	4	19'-8¾" (6.01m)	132.0	-	207' (53.05m)	-
21	1	-	1	3	20'-9¼" (6.33m)	140.7	-	194' (59.15m)	-
22	1	-	-	4	21'-8⅞" (6.63m)	146.7	-	186' (56.73m)	-
23	-	1	-	4	22'-8⅞" (6.92m)	154.1	-	177' (54.00m)	-
24	-	-	1	4	23'-8¼" (7.22m)	159.0	-	172' (52.34m)	-
25	-	-	-	5	24'-8" (7.52m)	165.0	-	165' (50.44m)	-
26	1	-	1	4	25'-8⅞" (7.83m)	173.7	-	157' (47.91m)	-
27	1	-	-	5	26'-8⅞" (8.13m)	179.7	-	152' (46.31m)	-
28	-	1	-	5	27'-7¾" (8.43m)	187.1	-	146' (44.48m)	-
29	-	-	1	5	28'-7½" (8.73m)	192.0	-	142' (43.34m)	-
30	-	-	-	6	29'-7¼" (9.02m)	198.0	-	138' (42.03m)	-
31	1	-	1	5	30'-7⅞" (9.34m)	206.7	-	132' (40.26m)	-
32	1	-	-	6	31'-7⅞" (9.64m)	212.7	-	128' (39.13m)	-
33	-	1	-	6	32'-7" (9.93m)	220.1	-	124' (37.81m)	-
34	-	-	1	6	33'-6¾" (10.23m)	225.0	-	121' (36.99m)	-
35	-	-	-	7	34'-6⅞" (10.53m)	231.0	-	118' (36.03m)	-
36	1	-	1	6	35'-6⅞" (10.84mm)	239.7	-	-	114' (34.72m)
37	1	-	-	7	36'-6½" (11.14m)	245.7	-	-	111' (33.87m)
38	-	1	-	7	37'-6¼" (11.44m)	253.1	-	-	108' (32.88m)
39	-	-	1	7	38'-5⅞" (11.73m)	258.0	-	-	106' (32.26m)

<sup>(1)</sup> Cable lengths calculated with 52V power supplies.

<sup>(2)</sup> Power supply set to 52V by factory for maximum cable length.

<sup>(3)</sup> DMX signal cable length limited to 328' (100m).

## LINEALUCE 47 WHITE HIGHT OUTPUT (HO) TABLE

Nominal length (ft)	Composition				Actual total length (Lf)	Total wattage (W)	Total cable length (Lc) <sup>(1)</sup>		
	2' (611mm) 24.7W	3' (908mm) 35.6W	4' (1205mm) 46.8W	5' (1502mm) 57.3W			4554-0048-120-UNV-ND <sup>(2)</sup>	4554-0048-240-UNV-ND <sup>(2)</sup>	4554-0048-480-UNV-ND <sup>(2)</sup>
2	1	-	-	-	2' (611mm)	24.7	1105' (336.90m) <sup>(3)</sup>	-	-
3	-	1	-	-	2'-11¼" (908mm)	35.6	767' (233.80m) <sup>(3)</sup>	-	-
4	-	-	1	-	3'-11½" (1.21m)	46.8	583' (177.80m) <sup>(3)</sup>	-	-
5	-	-	-	1	4'-11⅞" (1.50m)	57.3	477' (145.20m) <sup>(3)</sup>	-	-
6	-	2	-	-	5'-11⅝" (1.82m)	71.2	383' (116.90m) <sup>(3)</sup>	-	-
7	-	1	1	-	6'-11⅞" (2.12m)	82.4	331' (101.00m) <sup>(3)</sup>	-	-
8	-	-	2	-	7'-11" (2.41m)	93.6	292' (88.91m)	-	-
9	-	-	1	1	8'-10⅝" (2.71m)	104.1	262' (79.94m)	-	-
10	-	-	-	2	9'-10⅝" (3.01m)	114.6	238' (72.62m)	-	-
11	1	-	1	1	10'-10¾" (3.32m)	128.8	-	212' (64.61m)	-
12	1	-	-	2	11'-10½" (3.62m)	139.3	-	196' (59.74m)	-
13	-	1	-	2	12'-10⅞" (3.92m)	150.2	-	182' (55.41m)	-
14	-	-	1	2	13'-9⅞" (4.21m)	161.4	-	169' (51.56m)	-
15	-	-	-	3	14'-9½" (4.51m)	171.9	-	159' (48.41m)	-
16	1	-	1	2	15'-10" (4.83m)	186.1	-	147' (44.72m)	-
17	1	-	-	3	16'-9¼" (5.12m)	196.6	-	139' (42.33m)	-
18	-	1	-	3	17'-9⅞" (5.42m)	207.5	-	132' (40.11m)	-
19	-	-	1	3	18'-9⅞" (5.72m)	218.7	-	125' (38.05m)	-
20	-	-	-	4	19'-8¾" (6.01m)	229.2	-	119' (36.31m)	-
21	1	-	1	3	20'-9¼" (6.33m)	243.4	-	-	112' (34.19m)
22	1	-	-	4	21'-8⅞" (6.63m)	253.9	-	-	108' (32.78m)
23	-	1	-	4	22'-8⅞" (6.92m)	264.8	-	-	103' (31.43m)
24	-	-	1	4	23'-8¼" (7.22m)	276.0	-	-	99' (30.15m)
25	-	-	-	5	24'-8" (7.52m)	286.5	-	-	95' (29.05m)

<sup>(1)</sup> Cable lengths calculated with 52V power supplies.

<sup>(2)</sup> Power supply set to 52V by factory for maximum cable length.

<sup>(3)</sup> DMX signal cable length limited to 328' (100m).

## LINEALUCE 47 TUNABLE WHITE (TW) TABLE

Nominal length (ft)	Composition			Actual total length (Lf)	Total wattage (W)	Total cable length (Lc) <sup>(1)</sup>		
	2' (611mm) 29.6W	3' (908mm) 41.9W	4' (1205mm) 54.4 W			4554-0048-120-UNV-ND <sup>(2)</sup>	4554-0048-240-UNV-ND <sup>(2)</sup>	4554-0048-480-UNV-ND <sup>(2)</sup>
2	1	-	-	2' (611mm)	29.6	503' (153.40m) <sup>(3)</sup>	-	-
3	-	1	-	2'-11¼" (908mm)	41.9	355' (108.30m) <sup>(3)</sup>	-	-
4	-	-	1	3'-11½" (1.21m)	54.4	274' (83.44m)	-	-
5	1	1	-	4'-11¼" (1.52m)	71.5	208' (63.49m)	-	-
6	-	2	-	5'-11⅝" (1.82m)	83.8	178' (54.17m)	-	-
7	-	1	1	6'-11¼" (2.12m)	96.3	155' (47.14m)	-	-
8	-	-	2	7'-11" (2.41m)	108.8	137' (41.72m)	-	-
9	-	3	-	8'-11⅝" (2.73m)	125.7	-	118' (36.11m)	-
10	1	-	2	9'-11" (3.02m)	138.4	-	108' (32.8m)	-
11	-	1	2	10'-10¾" (3.32m)	150.7	-	99' (30.12m)	-
12	-	-	3	11'-10½" (3.62m)	163.2	-	91' (27.81m)	-
13	1	1	2	12'-10⅞" (3.93m)	180.3	-	83' (25.81m)	-
14	1	-	3	13'-10½" (4.23m)	192.8	-	77' (23.54m)	-
15	-	1	3	14'-10¼" (4.53m)	205.1	-	73' (22.13m)	-
16	-	-	4	15'-10" (4.83m)	217.6	-	68' (20.86m)	-
17	1	1	3	16'-10⅝" (5.14m)	234.7	-	63' (19.34m)	-
18	1	-	4	17'-10" (5.44m)	247.2	-	-	60' (18.36m)
19	-	1	4	18'-9¾" (5.73m)	259.5	-	-	57' (17.49m)
20	-	-	5	19'-9½" (6.03m)	272.0	-	-	55' (16.69m)
21	1	1	4	20'-9⅞" (6.35m)	289.1	-	-	52' (15.70m)
22	1	-	5	21'-9⅝" (6.64m)	301.6	-	-	49' (15.05m)

<sup>(1)</sup> Cable lengths calculated with 52V power supplies.

<sup>(2)</sup> Power supply set to 52V by factory for maximum cable length.

<sup>(3)</sup> DMX signal cable length limited to 328' (100m).



## LINEALUCE 47 RED/GREEN/BLUE (RGB) TABLE

Nominal length (ft)	Composition			Actual total length (Lf)	Total wattage (W)	Total cable length (Lc) <sup>(1)</sup>		
	2' (611mm) 28.3W	3' (908mm) 40W	4' (1205mm) 52.1W			4554-0048-120-UNV-ND <sup>(2)</sup>	4554-0048-240-UNV-ND <sup>(2)</sup>	4554-0048-480-UNV-ND <sup>(2)</sup>
2	1	-	-	2' (611mm)	28.3	526' (160.40m) <sup>(3)</sup>	-	-
3	-	1	-	2'-11¼" (908mm)	40.0	372' (113.50m) <sup>(3)</sup>	-	-
4	-	-	1	3'-11½" (1.21m)	52.1	286' (87.13m)	-	-
5	1	1	-	4'-11¼" (1.52m)	68.3	218' (66.46m)	-	-
6	-	2	-	5'-11⅝" (1.82m)	80.0	186' (56.74m)	-	-
7	-	1	1	6'-11¼" (2.12m)	92.1	162' (49.29m)	-	-
8	-	-	2	7'-11" (2.41m)	104.2	143' (43.56m)	-	-
9	-	3	-	8'-11⅝" (2.73m)	120.0	-	124' (37.83m)	-
10	1	-	2	9'-11" (3.02m)	132.5	-	112' (34.26m)	-
11	-	1	2	10'-10¾" (3.32m)	144.2	-	103' (31.48m)	-
12	-	-	3	11'-10½" (3.62m)	156.3	-	95' (29.04m)	-
13	1	1	2	12'-10⅞" (3.93m)	172.5	-	86' (26.31m)	-
14	1	-	3	13'-10½" (4.23m)	184.6	-	81' (24.59m)	-
15	-	1	3	14'-10¼" (4.53m)	196.3	-	76' (23.12m)	-
16	-	-	4	15'-10" (4.83m)	208.4	-	71' (21.48m)	-
17	1	1	3	16'-10⅞" (5.14m)	224.6	-	66' (20.21m)	-
18	1	-	4	17'-10" (5.44m)	236.7	-	63' (19.18m)	-
19	-	1	4	18'-9¾" (5.73m)	248.4	-	-	60' (18.27m)
20	-	-	5	19'-9½" (6.03m)	260.5	-	-	57' (17.43m)
21	1	1	4	20'-9⅞" (6.35m)	276.7	-	-	54' (16.41m)
22	1	-	5	21'-9⅝" (6.64m)	288.8	-	-	52' (15.72m)

<sup>(1)</sup> Cable lengths calculated with 52V power supplies.

<sup>(2)</sup> Power supply set to 52V by factory for maximum cable length.

<sup>(3)</sup> DMX signal cable length limited to 328' (100m).

## LINEALUCE 47 RED/GREEN/BLUE/WHITE (RGBW) TABLE

Nominal length (ft)	Composition				Actual total length (Lf)	Total wattage (W)	Total cable length (Lc) <sup>(1)</sup>		
	2' (611mm) 26.7W	3' (908mm) 38.8W	4' (1205mm) 50W	5' (1502mm) 61.1W			4554-0048-120-UNV-ND <sup>(2)</sup>	4554-0048-240-UNV-ND <sup>(2)</sup>	4554-0048-480-UNV-ND <sup>(2)</sup>
2	1	-	-	-	2' (611mm)	26.7	1023' (311.70m) <sup>(3)</sup>	-	-
3	-	1	-	-	2'-11¼" (908mm)	38.8	704' (214.50m) <sup>(3)</sup>	-	-
4	-	-	1	-	3'-11½" (1.21m)	50.0	546' (166.40m) <sup>(3)</sup>	-	-
5	-	-	-	1	4'-11⅝" (1.50m)	61.1	447' (136.20m) <sup>(3)</sup>	-	-
6	-	2	-	-	5'-11⅝" (1.82m)	77.6	352' (107.20m) <sup>(3)</sup>	-	-
7	-	1	1	-	6'-11⅞" (2.12m)	88.8	307' (93.72m)	-	-
8	-	-	2	-	7'-11" (2.41m)	100.0	273' (83.22m)	-	-
9	-	-	1	1	8'-10⅝" (2.71m)	111.1	246' (74.91m)	-	-
10	-	-	-	2	9'-10⅝" (3.01m)	122.2	-	223' (68.10m)	-
11	1	-	1	1	10'-10¾" (3.32m)	137.8	-	198' (60.39m)	-
12	1	-	-	2	11'-10½" (3.62m)	148.9	-	183' (55.89m)	-
13	-	1	-	2	12'-10⅞" (3.92m)	161.0	-	170' (51.69m)	-
14	-	-	1	2	13'-9⅞" (4.21m)	172.2	-	159' (48.33m)	-
15	-	-	-	3	14'-9½" (4.51m)	183.3	-	149' (45.40m)	-
16	1	-	1	2	15'-10" (4.83m)	198.9	-	137' (41.84m)	-
17	1	-	-	3	16'-9¾" (5.12m)	210.0	-	130' (39.63m)	-
18	-	1	-	3	17'-9⅞" (5.42m)	222.1	-	123' (37.47m)	-
19	-	-	1	3	18'-9⅞" (5.72m)	233.3	-	117' (35.67m)	-
20	-	-	-	4	19'-8¾" (6.01m)	244.4	-	-	112' (34.05m)
21	1	-	1	3	20'-9¼" (6.33m)	260.0	-	-	105' (32.01m)
22	1	-	-	4	21'-8⅞" (6.63m)	271.1	-	-	101' (30.70m)
23	-	1	-	4	22'-8⅞" (6.92m)	283.2	-	-	96' (29.39m)

<sup>(1)</sup> Cable lengths calculated with 52V power supplies.

<sup>(2)</sup> Power supply set to 52V by factory for maximum cable length.

<sup>(3)</sup> DMX signal cable length limited to 328' (100m).

iGuzzini North America

9320 Boul. St-Laurent  
suite 100, Montréal (Québec)  
Canada H2N 1N7  
P.: 514.523.1337  
F.: 514.525.6107  
www.iguzzini.com/us  
JP - 10.08.2021