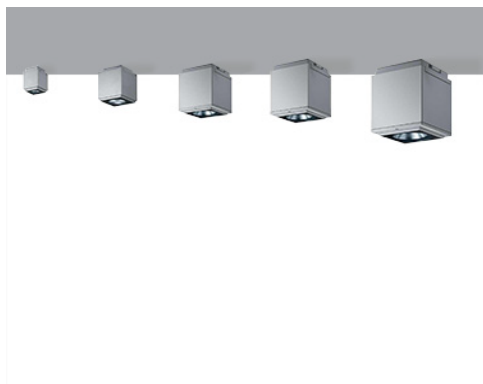




Collection of ceiling mounted luminaires applications. Available in 5 sizes. For urban architecture and residential area. A compact and essential design, specifically designed to facilitate installation and maintenance operations and guarantee minimal visual impact.



**Luminaire characteristic:**

Power input system: 4.5W to 42W  
Lumens system for 3000K, 80CRI: 345 to 4385lm  
Luminaire efficacy for 3000K, 80CRI: Up to 104lm/W

**Source:**

White LED (LM-80 tested),  
3000K : 80CRI,  
4000K : 80CRI.

**Lumen maintenance:**

90% of initial lumens at 100 000 hours (L90 B10)  
Ta 77°F (25°C)  
90% of initial lumens at 100 000 hours (L90 B10)  
Ta 104°F (40°C)

**Optic:**

Aluminum faceted reflector with clear protective screen available in Flood optic.

**Material:**

Optical body and frame: Die-cast aluminum  
Reflector: Formed aluminum  
Lens: PMMA and thermoplastic.  
Protective screen: 1/8" (4mm) tempered sodium-calcium glass.

**Mounting:**

Ceiling-mounting using the special base, to be installed on a standart 4" junction box. Secure using anchors for concrete, cement and solid brick.

**Electrical:**

Universal high efficiency electronic driver, rated at 50 000 hours. 120V/277V or remote LED driver for Micro model (see page 3).

**Dimming:**

Supplied standard with 1-10V dimmable power supply (15% minimum dimming). Optical Leading (Triac) and trialing edge (ELV) for 120V only (down to ±15% Dimming range).

**Finish:**

Black, gray (RAL9007) rust brown or white (RAL9016) painted with a high level of weather and UV resistance. The semi-gloss finish coating is electrostatically applied, durable acrylic enamel baked at high temperatures for superior color retentive finish.

**Weight:**

Micro: 0.6lb (0.3kg)  
Mini: 2lb (0.9kg)  
Small: 7.3lb (3.3kg)  
Medium: 9.7lb (4.3kg)  
Large: 14.3lb (6.5kg)

**Warranty:**

5 year limited warranty.

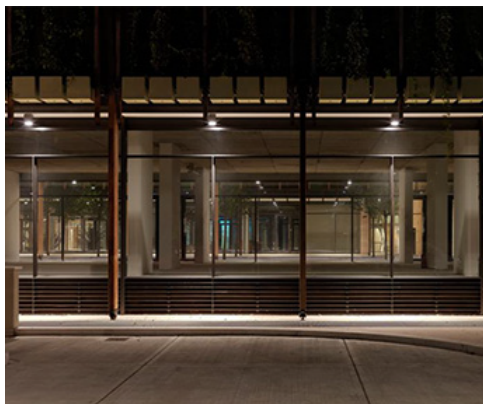
**Ratings:**

IP66, IK07, IK09 with protective grid accessory.

**Certification:**



cULus listed for wet location.



**ORDERING INFO**

**IIPRO - - C - - - FL - - -**  
FIXTURE

**MODEL**

- CM** - Micro       **NM** - Mini       **SC** - Small       **MC** - Medium       **LC** - Large

**MOUNTING**

- C** - Ceiling

**OUTPUT**

- BO** - Base output<sup>(1)</sup>  
 **HO** - High output<sup>(1)</sup>

**LED**

- 830** - 3000K, 80CRI       **840** - 4000K, 80 CRI

**OPTIC**

- FL** - Flood

**VOLTAGE**

- UNV** - 120V-277V       **REM** - Remote<sup>(2)</sup>

**FINISH**

- 01** - White       **02** - Black       **15** - Gray       **F5** - Rust brown

**DIMMING**

- D10** - 0-10V<sup>(3)</sup>       **LTE** - Leading and Trailing edge (120V only)<sup>(3)</sup>

<sup>(1)</sup> Available for large (LC) model.

<sup>(2)</sup> Available for micro (CM) model.

<sup>(3)</sup> Available for small (SM), medium (MC) and large (LC) models.

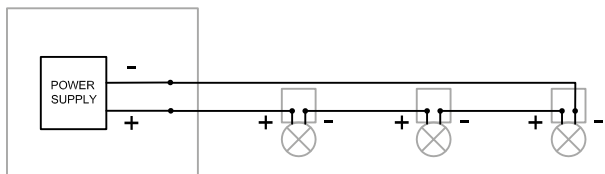
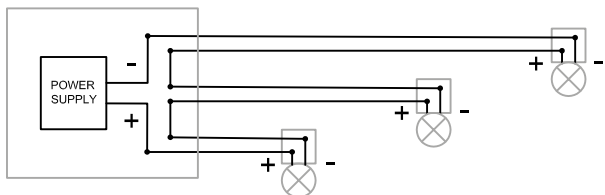
**REMOTE LED DRIVER OPTION**  
(TO BE ORDERED SEPARATELY)

ONLY FOR IPRO MICRO : IIPRO-XX-CM-XXX-FL-XXX-XX-XXX							Min-Max Units
Watts	Voltage	Rated	Dimming protocol	Dimming range	Dimension	Max distance**	FL OPTIC 4.5 W*
☐ 4450-0500-027-UNV-ED10							1-6
27	120-277V	Indoor	0-10V ELDOLED ECOdrive	Down to ±1%	8" x 8" x 4" (203 X 203X 102mm)	118ft(36m)	
☐ 4549-0500-027-UNV-ED10							1-6
27	120-277V	Outdoor	0-10V ELDOLED ECOdrive	Down to ±1%	14.5" x 5" x 3.5" (368 x 127 x 89mm)	118ft(36m)	

\* Wattage requirement for one (1) fixture (Remote fixture only).  
\*\*Calculated for 16AWG cable. Contact factory for longer remote distance.



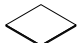
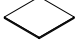
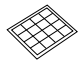
**WIRING DIAGRAMS**

\*Multiple luminaires must be connected in series (home run or fixture chain)



## ACCESSORIES (TO BE ORDERED SEPARATELY)

For the installation consult the instruction sheet.

ACCESSORIES	SC - SMALL □5¼" (132mm)	MC - MEDIUM □6⅝" (155mm)	LC - LARGE □7⅞" (192mm)
	REQUIRED*		
Support frame 	IBZ49-XX <input type="checkbox"/>	IBZ63-XX <input type="checkbox"/>	IBZ77-XX <input type="checkbox"/>
	01 White finish <input type="checkbox"/>	02 Black <input type="checkbox"/>	15 Gray finish <input type="checkbox"/>
Refractor for elliptical distribution 	MAX 2 ACC.		
	IBZ53 <input type="checkbox"/>	IBZ67 <input type="checkbox"/>	IBZ80 <input type="checkbox"/>
Diffuser glass 	IBZ51 <input type="checkbox"/>	IBZ65 <input type="checkbox"/>	IBZ79 <input type="checkbox"/>
Prismatic diffuser glass 	IBZ52 <input type="checkbox"/>	IBZ66 <input type="checkbox"/>	I1154 <input type="checkbox"/>
Protective grid (stainless steel) 	IBZ56 <input type="checkbox"/>	IBZ71 <input type="checkbox"/>	IBZ85 <input type="checkbox"/>

\*Support Frames are required with Refractor, Diffuser Glass, Prismatic Diffuser Glass and Protective Grid. See instruction for sheets uses recommendation

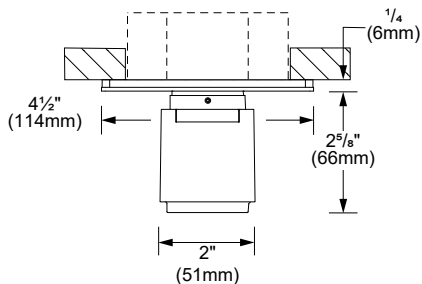
## LUMEN MAINTENANCE

	CM - MICRO □2" (51mm)	NM - MINI □3⅜" (81mm)
L80- B10 (ta 25°C (77°F))	>100 000h	>100 000h
L80- B10 (ta 40°C (104°F))	>94 000h	>100 000h

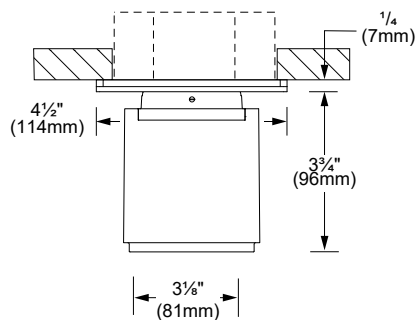
	SC - SMALL □5¼" (132mm)	MC - MEDIUM □6⅝" (155mm)	LC - LARGE □7⅞" (192mm)
L90- B10 (ta 25°C (77°F))	>100 000h	>100 000h	>100 000h
L90- B10 (ta 40°C (104°F))	>100 000h	>100 000h	>100 000h

**DIMENSIONS**

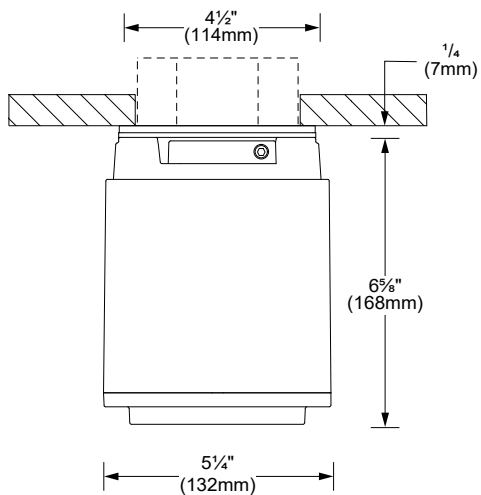
**MICRO (CM) - 2"**



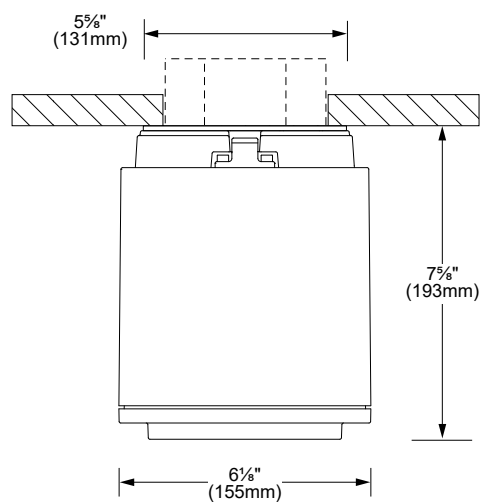
**MINI (NM) - 3 1/8"**



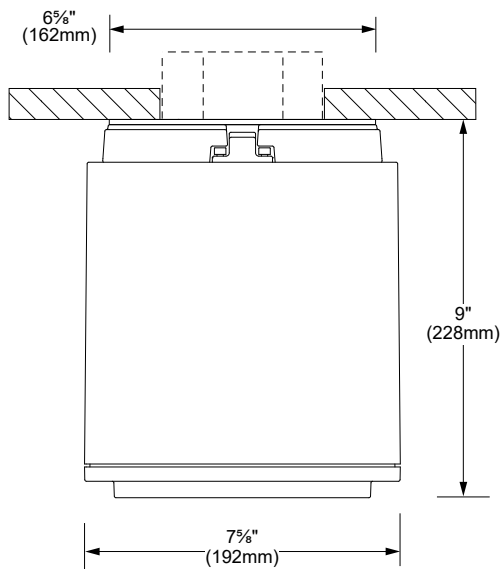
**SMALL (SC) - 5 1/4"**



**MEDIUM (MC) - 6 1/8"**



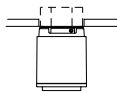
**LARGE (LC) - 7 5/8"**



**PHOTOMETRIC DATA**

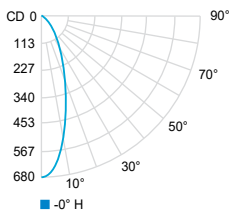
Visit [iguzzini.com/us](http://iguzzini.com/us) for complete photometric data.

**CM - MICRO**



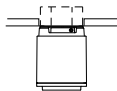
CCT (K)	CRI	LOAD (W)	OPTIC	LUMENS (lm)	EFFICACY (lm / w)	MAX CANDELA (cd)	MODELS
3000K	80	4.5W	Flood 34°	345	76	670	IIPRO-CM-C-830-FL
4000K				345	76	670	IIPRO-CM-C-840-FL

Flood 34° (3000K, 80 CRI)



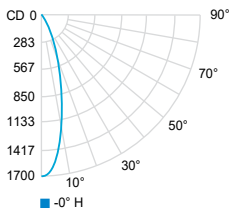
Center Beam fc	Beam Width ft
168	1.2
42.0	2.4
18.6	3.6
10.5	4.9
6.71	6.1
4.66	7.3

**NM - MINI**



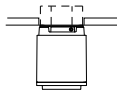
CCT (K)	CRI	LOAD (W)	OPTIC	LUMENS (lm)	EFFICACY (lm / w)	MAX CANDELA (cd)	MODELS
3000K	80	9W	Flood 30°	525	58	1 685	IIPRO-NM-C-830-FL
4000K				525	58	1865	IIPRO-NM-C-840-FL

Flood 30° (3000K, 80 CRI)



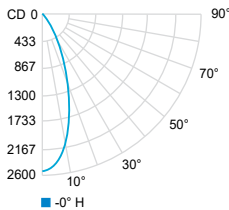
Center Beam fc	Beam Width ft
421	1.1
105	2.2
46.8	3.3
26.3	4.3
16.9	5.4
11.7	6.5

**SC - SMALL**



CCT (K)	CRI	LOAD (W)	OPTIC	LUMENS (lm)	EFFICACY (lm / w)	MAX CANDELA (cd)	MODELS
3000K	80	14W	Flood 41°	1 345	96	2 550	IIPRO-SC-C-830-FL
4000K				1 385	98	2 620	IIPRO-SC-C-840-FL

Flood 41° (3000K, 80 CRI)

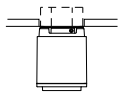


Center Beam fc	Beam Width ft
638	1.5
159	3.0
70.9	4.5
39.9	6.0
25.5	7.5
17.7	9.0

**PHOTOMETRIC DATA**

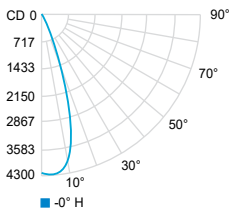
Visit [iguzzini.com/us](http://iguzzini.com/us) for complete photometric data.

**MC - MEDIUM**



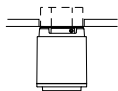
CCT (K)	CRI	LOAD (W)	OPTIC	LUMENS (lm)	EFFICACY (lm / w)	MAX CANDELA (cd)	MODELS
3000K	80	19.5W	Flood 36°	1 710	87	4 205	IIPRO-MC-C-830-FL
4000K				1 775	91	4 370	IIPRO-MC-C-840-FL

Flood 36° (3000K, 80 CRI)



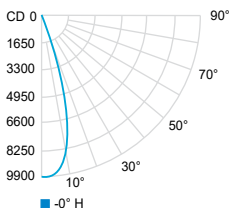
Center Beam fc	Beam Width ft
1036	1.3
259	2.6
115	4.0
64.8	5.3
41.5	6.6
28.8	7.9

**LC - LARGE**



CCT (K)	CRI	OUTPUT	LOAD (W)	OPTIC	LUMENS (lm)	EFFICACY (lm / w)	MAX CANDELA (cd)	MODELS
3000K	80	BO	27.5W	Flood 31°	3 030	111	9 855	IIPRO-LC-C-BO-830-FL
4000K					3 110	114	10 115	IIPRO-LC-C-BO-840-FL
3000K		HO	42W		4 305	102	14 055	IIPRO-LC-C-HO-830-FL
4000K					4 385	104	14 315	IIPRO-LC-C-HO-840-FL

Flood 31° BO (3000K, 80 CRI)



Center Beam fc	Beam Width ft
2465	1.1
616	2.2
274	3.4
154	4.5
98.6	5.6
68.5	6.7