

Easy Space is a new family of recessed downlights featuring the innovative Opti Diamond optic, a groundbreaking feature that enhances spatial perception and visual well-being by expertly balancing contrasts and much more.

Opti Diamond is the outcome of a detailed study into materials, engineering and processing to ensure optimum brilliance and unique splendour - just like diamonds.

This effect is further enhanced by the subtly luminous external frame, which not only accentuates its appealing impact on ceilings but also helps to mitigate the typical cave lighting effect often associated with recessed downlights.

Luminaire characteristics:

Easy Space 96 (4")

Power input system: 10W to 14W
Lumens for 3000K, 90CRI: 978lm to 1 345lm
Luminaire efficacy: Up to 107lm/W

Easy Space 153 (6")

Power input system: 17.5W to 25W
Lumens for 3000K, 90CRI: 1 290lm to 2 684lm
Luminaire efficacy: Up to 109lm/W

Easy Space 212 (8")

Power input: 26.5W to 37W
Lumens for 3000K, 90CRI: 2 225lm to 4 138lm
Luminaire efficacy: Up to 120lm/W

Source:

COB LED module (LM-80)
3000K: 80CRI, 90CRI.
3500K: 90CRI.
4000K: 80CRI, 90CRI.

Lumen maintenance:

90% of initial lumens at more than 66 000 hours (L90) (LM80)

Optics:

General lighting or wall washer optics.
Visual comfort, UGR<19 or UGR<19 with microfilm

Material:

Body: Die-cast aluminum assembly
Reflector: Prismatic thermoplastic with flux enhancer
Baffle: Painted thermoplastic

Mounting:

New construction with housing suitable for insulated ceiling and chicago plenum. (page 6).

Electrical:

High efficiency dimmable LED driver, rated at 50 000 hours. See remote LED driver options

Finish:

Grey painted die-cast aluminium dissipator with a choice of white transparent or black transparent reflector with chrome accents for UGR and WW optics.

Weight:

Easy space 96: 0.84lb (0.38kg)
Easy space 153: 1.68lb (0.76kg)
Easy space 212: 2.54lb (1.15kg)

Warranty:

5 year limited warranty.

Ratings:

IP20, IP54 (under the ceiling)

Certification:



cULus pending for damp location. Interior use only.

ORDERING INFO

[CLICK HERE](#)



CONFIGURE



PRODUCT CODE

SIZE	MODEL	TRIM STYLE	INSTALLATION *	OUTPUT	LED	OPTIC	VOLTAGE	FINISH
096 Ø4" (96mm)	R Round	T Trim	CP Chicago Plenum IC Insulated Ceiling	BO Base Output HO High Output	830 3000K, 80CRI	GL General Light UGR ¹ UGR<19 MPO ^{1 2} UGR<19 Microfilm WW ³ Wall Washer	IC, CP REM Remote	GL, MPO
153 Ø6" (153mm)					840 4000K, 80CRI			D8 White transparent
212 Ø8" (212mm)					930 3000K, 90CRI 935 3500K, 90CRI 940 4000K, 90CRI			83 Black transparent
								UGR, WW
								F6 White transparent / Chrome
								F8 Black transparent / Chrome

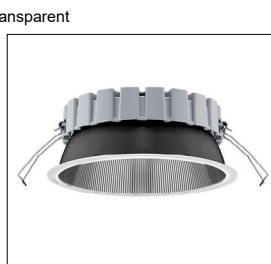
- (1) Only available for size 6"(153mm) and 8"(212mm)
- (2) Only available in Base Output (BO)
- (3) Not available in Base Output (BO) for size 4"(96mm)
- (4) Suitable for grid ceiling. See page 6.

General light



D8 White transparent

UGR<19 with microfilm



83 Black transparent

UGR<19

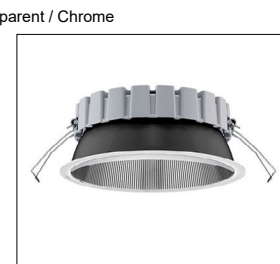


F6 White transparent / Chrome



F8 Black transparent / Chrome

Wall Washer



REMOTE LED DRIVER OPTIONS (TO BE ORDERED SEPARATELY)

0-10V

096-BO-GL	
Units	Driver box model

096-HO-GL & 096-HO-WW	
Units	Driver box model

153-BO-MPO	
Units	Driver box model

153-BO-GL, 153-BO-UGR & 153-BO-WW	
Units	Driver box model

153-HO-GL, 153-HO-UGR & 153-HO-WW	
Units	Driver box model

212-BO-MPO	
Units	Driver box model

212-BO-GL, 212-BO-UGR & 212-BO-WW	
Units	Driver box model

212-HO-GL, 212-HO-UGR & 212-HO-WW	
Units	Driver box model

DALI

096-BO-GL	
Units	Driver box model

096-HO-GL & 096-HO-WW	
Units	Driver box model

153-BO-MPO	
Units	Driver box model

153-BO-GL, 153-BO-UGR & 153-BO-WW	
Units	Driver box model

153-HO-GL, 153-HO-UGR & 153-HO-WW	
Units	Driver box model

212-BO-MPO	
Units	Driver box model

212-BO-GL, 212-BO-UGR & 212-BO-WW	
Units	Driver box model

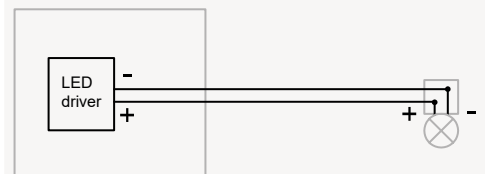
212-HO-GL, 212-HO-UGR & 212-HO-WW	
Units	Driver box model

DRIVER BOX MODEL DESCRIPTION

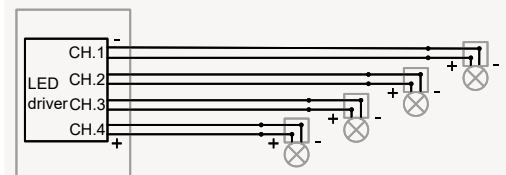
DIMMING	CONSTANT CURRENT	WATTAGE	VOLTAGE	DIMMING PROTOCOL
4443 5" x 4" x 3" (127 x 102 x 76mm)	0250 to 2800 from 250mA to 2800mA	011 to 100 from 11W to 100W	UNV 120V-277V	D01 0-10V Max distance: 100m (330ft)* (down to 1%)
4448 10" x 8" x 4" (250 x 203 x 102mm)				DALI DALI Max distance: 9m (30ft)* (down to 1%)
4450 8" x 8" x 4" (203 x 203 x 102mm)				

*Max distance cable calculated for 16AWG cable. Contact customer service for longer remote distance.

WIRING DIAGRAMS

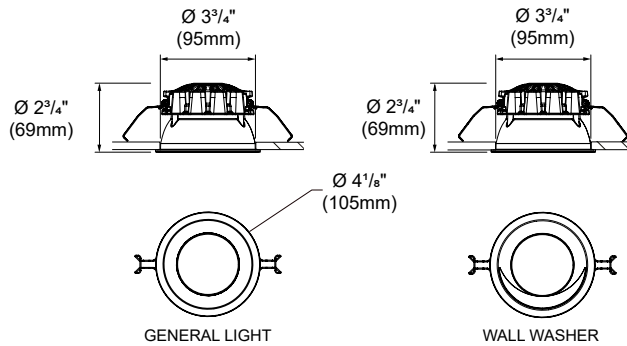


***Luminaires must be connected on separate channels (1-4). Do not exceed the wattage and voltage range on each channel.

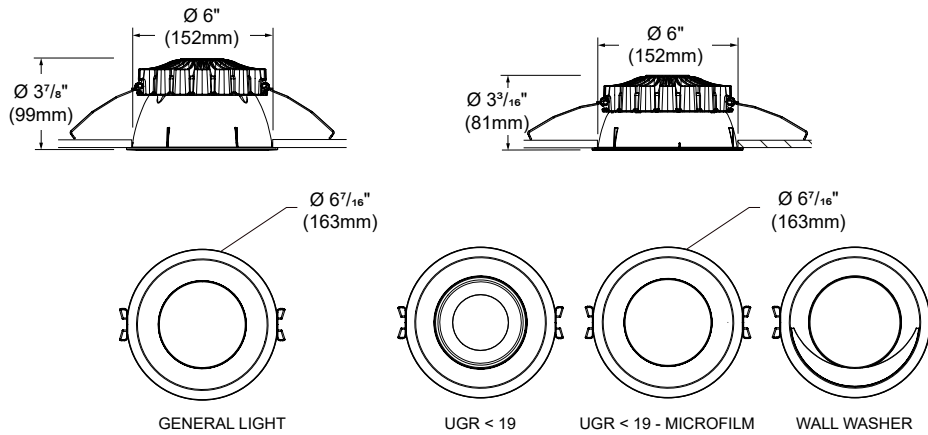


TRIM MODELS DIMENSIONS

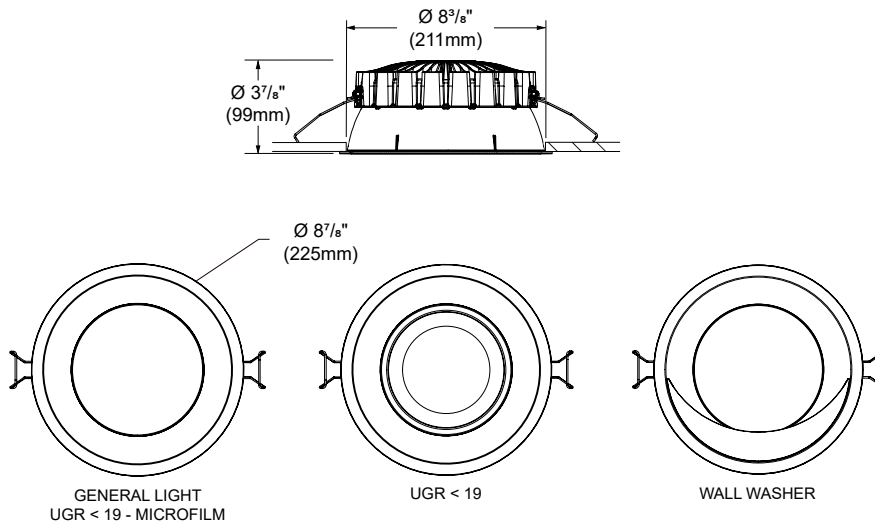
Ø 4" (96mm)



Ø 6" (153mm)



Ø 8" (212mm)



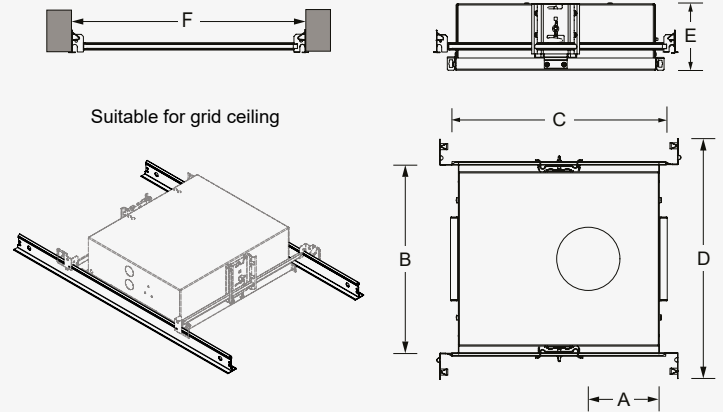
INSTALLATION

New construction with housing suitable for: Insulated ceiling (IC) Chicago plenum (CP)

Housing with hanger bars system for new construction installations.
Suitable for insulated ceiling, chicago plenum and airtight applications.
Housing can be shipped separately.

Ceiling thickness:
Trim: up to 2" (50.8mm)

Total weight:
Ø96: 8.3lb (3.8kg)
Ø153: 11.3lb (5.2kg)
Ø212: 14.2lb (6.5kg)



Model	Housing	Cut-out dimensions	Cut-out position (A)	Max Overall dimensions (BxC)	Max Width (D)	Clearance (E)	Hanger bars (F)
EASY SPACE 096	BI-IESP096RT-IC/CP/AT	Ø 3 3/4" (Ø 96mm)	4 1/4" (108mm)	10" x 12" (254mm x 305mm)	14 1/4" (363mm)	4" (102mm)	14 1/4" to 26" (362 to 660mm)
EASY SPACE 153	BI-IESP153RT-IC/CP/AT	Ø 6" (Ø 153mm)	6 1/8" (154mm)	11 1/8" x 15" (283mm x 381mm)	19 1/4" (489mm)	6" (153mm)	
EASY SPACE 212	BI-IESP212RT-IC/CP/AT	Ø 8 3/8" (Ø 212mm)	7 1/4" (184mm)	14 1/8" x 17 1/2" (359mm x 445mm)	21 3/4" (552mm)	6" (153mm)	

PHOTOMETRIC DATA ¹ Ø3 7/8" (Ø96mm)

CCT (K)	CRI	OUTPUT	SYSTEM POWER (W)	OPTIC	BEAM ANGLE	LUMENS (lm)	EFFICACY (lm / W)	MAX CANDELA (cd)	MODELS
3000K	90	BO	10W	General light	62°	1 068	107	978	IESP096RT-XX-BO930-GL
		HO	14W	General light	62°	1 468	105	1 345	IESP096RT-XX-BO930-GL
			14W	Wall washer	-	1 303	93	987	IESP096RT-XX-BO930-WW

(1) MAY 2024 DATA: may be subject to modification.

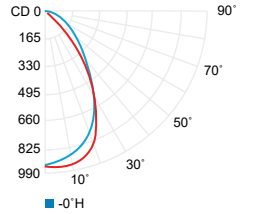
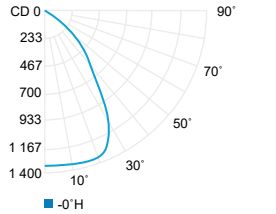
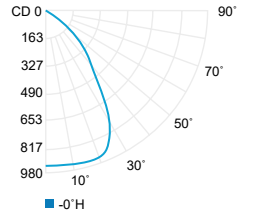
Power can vary with selected drivers. Use multiplier table for other CCT and CRI output data. Efficacy based on IESNA LM-79 test reports.

Visit iguzzini.com/us for complete photometric data.

BO General light (3000K, 90CRI)

HO General light (3000K, 90CRI)

HO Wall washer (3000K, 90CRI)



	Center beam fc	Beam width ft
2ft	245	2.4
4ft	61.2	4.8
6ft	27.2	7.1
8ft	15.3	9.5
10ft	9.79	11.9
12ft	6.80	14.3

	Center beam fc	Beam width ft
2ft	336	2.4
4ft	84.1	4.8
6ft	37.4	7.1
8ft	21.0	9.5
10ft	13.5	11.9
12ft	9.34	14.3

CCT options		3000K	4000K	3000K	3500K	4000K
CRI options		80CRI	80CRI	90CRI	90CRI	90CRI
Multiplier	GL/WW	1.15	1.15	1	1.03	0.92

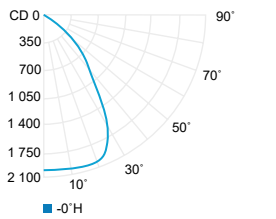
PHOTOMETRIC DATA ¹ Ø6" (Ø153mm)

CCT (K)	CRI	OUTPUT	SYSTEM POWER (W)	OPTIC	BEAM ANGLE	LUMENS (lm)	EFFICACY (lm / W)	MAX CANDELA (cd)	MODELS
3000K	90	BO	17.5W	General light	57°	1 911	109	2 027	IESP153RT-XX-BO930-GL
			17.5W	UGR<19	55°	1 743	100	1 970	IESP153RT-XX-BO930-UGR
			12W	UGR<19 microfilm	73°	1 290	107	1 970	IESP153RT-XX-BO930-MPO
			17.5W	Wall washer	-	1 743	100	1 133	IESP153RT-XX-BO930-WW
		HO	25W	General light	57°	2 684	107	2 847	IESP153RT-XX-HO930-GL
			25W	UGR<19	55°	2 448	98	2 767	IESP153RT-XX-HO930-UGR
			25W	Wall washer	-	2 448	98	1 591	IESP153RT-XX-HO930-WW

(1) MAY 2024 DATA: may be subject to modification.

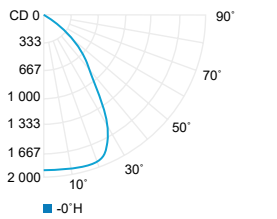
Power can vary with selected drivers. Use multiplier table for other CCT and CRI output data. Efficacy based on IESNA LM-79 test reports. Visit iguzzini.com/us for complete photometric data.

BO General light (3000K, 90CRI)



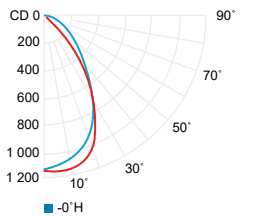
Center beam fc	Beam width ft
2ft	507 2.2
4ft	127 4.3
6ft	56.3 6.5
8ft	31.7 8.6
10ft	20.3 10.8
12ft	14.1 13.0

BO UGR<19 (3000K, 90CRI)

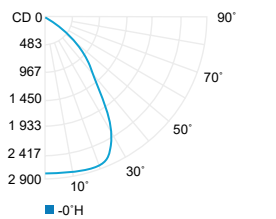


Center beam fc	Beam width ft
2ft	493 2.1
4ft	123 4.2
6ft	54.7 6.3
8ft	30.8 8.4
10ft	19.7 10.5
12ft	13.7 12.6

BO Wall Washer (3000K, 90CRI)

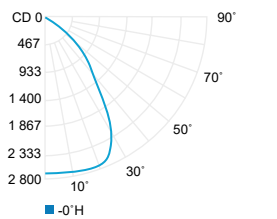


HO General light (3000K, 90CRI)



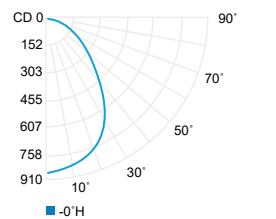
Center beam fc	Beam width ft
2ft	336 2.9
4ft	84.1 5.7
6ft	37.4 8.6
8ft	21.0 11.5
10ft	13.5 11.9
12ft	9.34 14.3

HO UGR<19 (3000K, 90CRI)



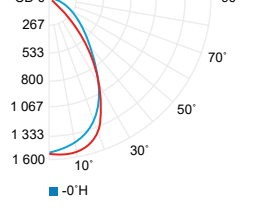
Center beam fc	Beam width ft
2ft	692 2.1
4ft	173 4.2
6ft	76.9 6.3
8ft	43.2 8.4
10ft	27.7 10.5
12ft	19.2 12.6

HO UGR<19 - Microfilm (3000K, 90CRI)



Center beam fc	Beam width ft
2ft	215 2.9
4ft	53.9 5.8
6ft	23.9 8.7
8ft	13.5 11.6
10ft	8.62 14.4
12ft	5.98 17.3

HO Wall Washer (3000K, 90CRI)



CCT options		3000K	4000K	3000K	3500K	4000K
CRI options		80CRI	80CRI	90CRI	90CRI	90CRI
Multiplier	GL/UGR/WW	1.15	1.15	1	1.05	0.92
	MPO	1.13	1.17	1	1.03	1.06

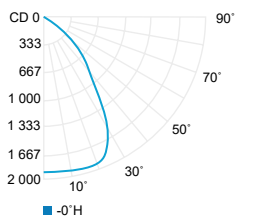
PHOTOMETRIC DATA ¹ Ø8 3/8" (Ø212mm)

CCT (K)	CRI	OUTPUT	SYSTEM POWER (W)	OPTIC	BEAM ANGLE	LUMENS (lm)	EFFICACY (lm / W)	MAX CANDELA (cd)	MODELS
3000K	90	BO	26.5W	General light	77°	3 195	120	1 958	IESP212RT-XX-BO930-GL
			26.5W	UGR<19	65°	2 573	97	2 355	IESP212RT-XX-BO930-UGR
			20.5W	UGR<19 microfilm	76°	2 225	108	1 510	IESP212RT-XX-BO930-MPO
			26.5W	Wall washer	-	2 573	97	1 603	IESP212RT-XX-BO930-WW
		HO	37W	General light	77°	4 138	111	2 522	IESP212RT-XX-HO930-GL
			37W	UGR<19	65°	3 827	103	3 384	IESP212RT-XX-HO930-UGR
			37W	Wall washer	-	3 738	101	2 314	IESP212RT-XX-HO930-WW

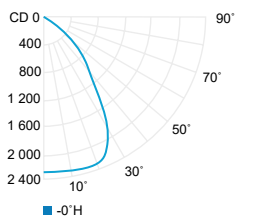
(1) MAY 2024 DATA: may be subject to modification.

Power can vary with selected drivers. Use multiplier table for other CCT and CRI output data. Efficacy based on IESNA LM-79 test reports. Visit iguzzini.com/us for complete photometric data.

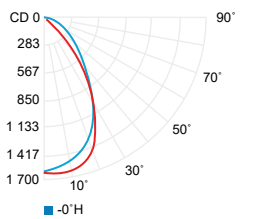
BO General light (3000K, 90CRI)



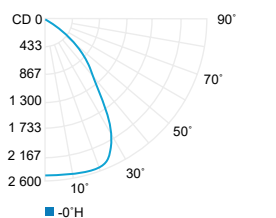
BO UGR<19 (3000K, 90CRI)



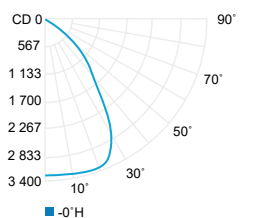
BO Wall Washer (3000K, 90CRI)



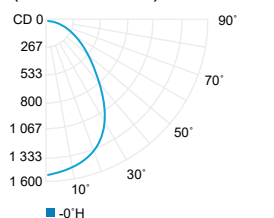
HO General light (3000K, 90CRI)



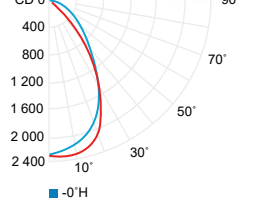
HO UGR<19 (3000K, 90CRI)



HO UGR<19 - Microfilm (3000K, 90CRI)



HO Wall Washer (3000K, 90CRI)



CCT options		3000K	4000K	3000K	3500K	4000K
CRI options		80CRI	80CRI	90CRI	90CRI	90CRI
Multiplier	GL/UGR/WW	1.13	1.17	1	1.07	0.93
	MPO	1.14	1.16	1	0.98	1.06